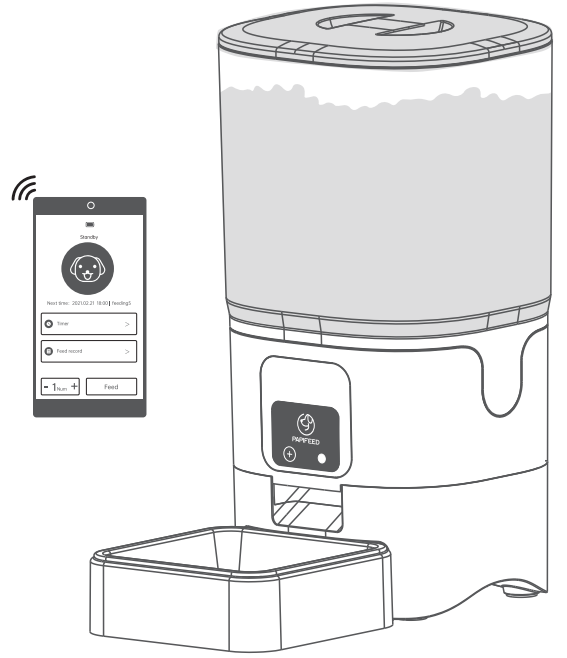




Smart Pet Feeder

User Manual



Please read this manual carefully and keep it for future use

Safety Instructions & Precautions

- ◆. Please do not use wet, canned or moist food.
- ◆. Please do not attempt to repair or modify the pet feeder yourself.
- ◆. Please do not use the data cable for any other purpose other than this product.
- ◆. Please do not immerse the body and power supply in water or the electronic components will be damaged.
- ◆. Please do not store this product in humid place and do not use it for any other purpose than feeding.
- ◆. please do not drop any items except dry food into the food storage bucket because it may cause abnormal conditions even pet safety problems.
- ◆. Children must be used under the guidance of an adult.
- ◆. This product uses four AA batteries (batteries not included).
- ◆. Please be sure to unplug the power supply before installing and removing the accessories.
- ◆. To prevent food clogging, the particle size should not exceed more than 15mm.
- ◆. If you need to use an extension cord, you need to use the same grade of extension cord.
- ◆. Using product accessories not provided or recommended by the original manufacturer may lead to unsafe conditions.
- ◆. Please check the device after installation and do not turn on the device if there is water on the power cord or plug.
- ◆. If you do not use the product for a long time, please remember to remove the battery and unplug the power supply.
- ◆. Please place the feeder horizontally. It is recommended to place it against the wall to prevent tripping over the wire or being torn by pets.
- ◆. Please read the cautions on the manual and package carefully.

Daily Feeding

(dog) weight	Normal activity	Increase	(dog) weight	Normal activity	Increase
2kg	39g	45g	8kg	111g	128g
4kg	66g	76g	10kg	131g	152g
6kg	89g	104g	12kg	150g	174g

(dog) weight	Normal activity	Increase	(dog) weight	Normal activity	Increase
14kg	178g	206g	20kg	233g	270g
16kg	197g	228g	22kg	250g	329g
18kg	197g	228g	24kg	267g	351g

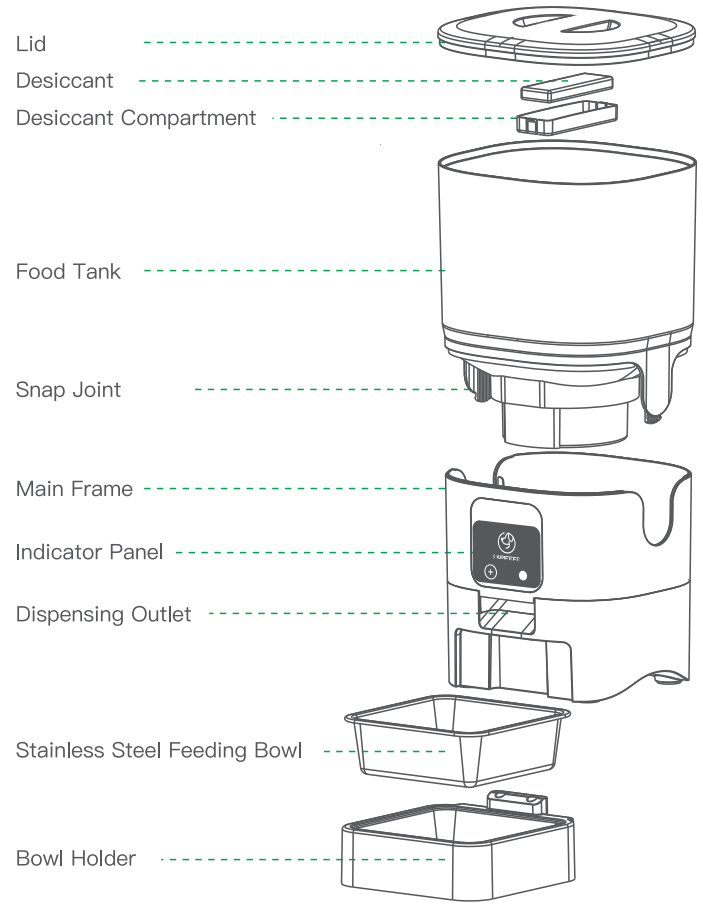
(dog) weight	Normal activity	Increase	(dog) weight	Normal activity	Increase
26kg	274g	318g	36kg	350g	405g
28kg	290g	336g	38kg	364g	422g
30kg	305g	353g	40kg	379g	439g
32kg	320g	371g	42kg	393g	455g
34kg	335g	388g	44kg	407g	535g

(cat) Month	1~2	2~4	4~6	6~8	8~12
Suggest	20~30g	30~50g	50~70g	70~80g	80~90g

(cat) weight	2~3kg	3~5kg	5~7kg	pregnancy	Lactation period
Suggest	25~35g	35~55g	55~85g	70~110g	120~190g

If the pet fail to eat up the previous programmed meal,please reduce the next meal portion.

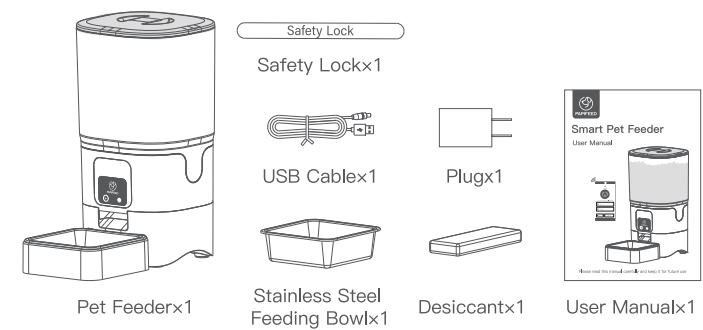
Component Breakdown



Product Specifications

Product Name	Smart Pet Feeder
Suit For	Cat,Dog,Rabbit,Squirrel,Small Pets
Rated Voltage	5V 1A
Product Power	5W
Power Supply	4 AA Batteries or Adapter
Material	Eco-FriendlyABS+HIPS
Product Size	192.5*178.5*332mm
Product Weight	1.6Kg
Product Capacity	6L
Pet Food	Dry Food
Portion Size	~20g/Portion (differed due to the different pet food density)

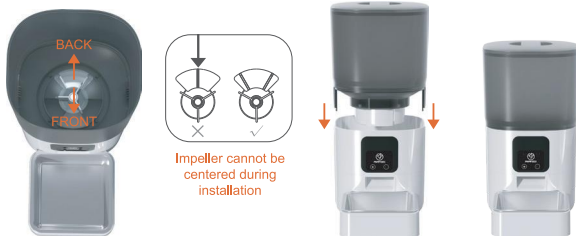
Packing List



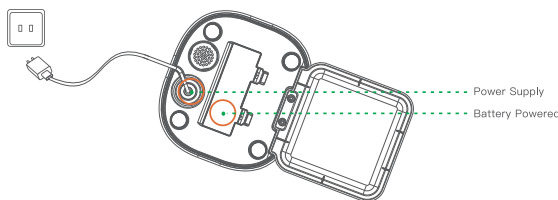
Scan for more details
www.papifedpet.com

Product Hardware Assembly Steps

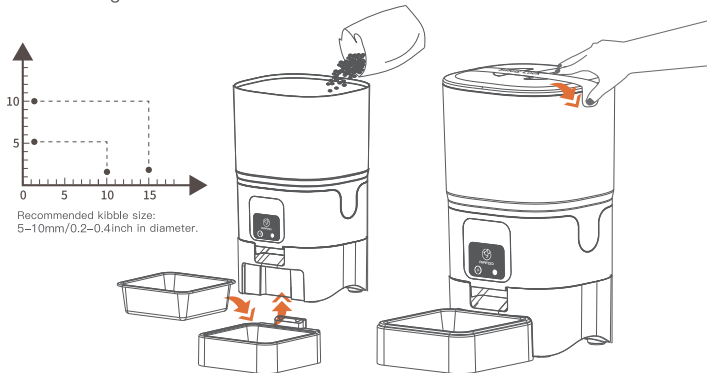
1. Installation of Food Tank.



2. Connect external power & Install food bowl tray.



3. Pour the grain & Install the velcro.



-05-

Description of Buttons and Indicators

Note:

- Short press **[+]** to manually dispense food.
- The product is only suitable for 2.4GHz network (5GHz network can not be connected).
- Battery power is only for emergency use in case of power failure, please ensure dual power supply for normal use.
- Make sure the feeder and home WiFi are connected, the distance between the two should not be too far apart. (Recommended within 5 meters).



In good working order—Led Indicator Notice:

Product Status	Light Color
Low Battery (Battery Powered Only)	Flashing Red
WiFi Disconnected	Green Light
WiFi Connection in Progress	Blue Light Flashes Quickly
WiFi Connected Status	Solid Blue Light

-06-

App Download and Use Steps

Software Download and Installation

- Scan the QR code to download the Smart Life APP.
- Turn on Smart Life APP and register your application account.
- Login your account.

Play(Android),Or App Store(iOS). Download and install the app by searching “Smart Life” on Google.



Smart Life

Connect the Device

Connect the Device (Turn on Bluetooth & WiFi)

- Turn on the phone WiFi and Bluetooth.
- Login to Smart Life app and refresh the page.
- Select the device you want to add.
- Enter the 2.4GHz WiFi network and password (the device does not support 5GHz network).
- Wait for the device to be connected, click “Next”.
- Finally, click the “Finish” button in the upper right corner to enter the feeding page.



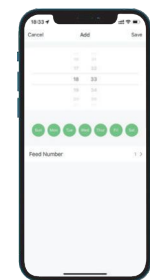
-07-

Set A Reasonable Feeding Time

Feeding Settings: You can continuously set a daily feeding schedule for your pet.

Note:

The function consumes a lot when battery powered, and the working time only lasts 20–24 hours, so it is more energy-saving to use dual power supply.



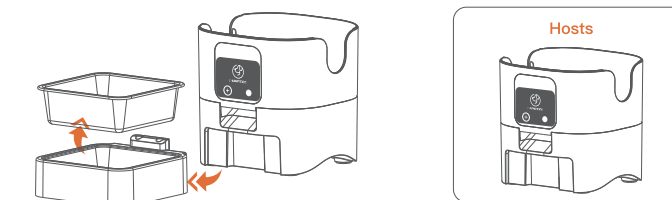
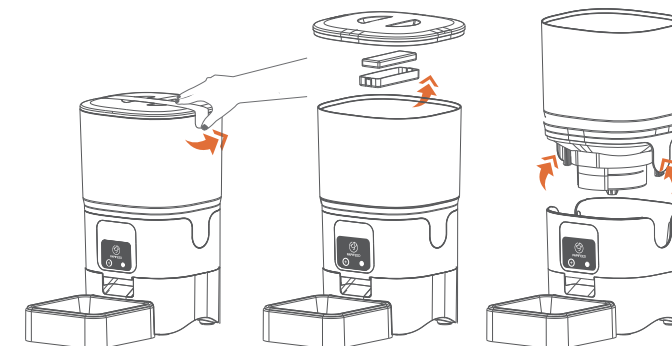
Troubleshooting Tips

- Please connect the external power supply before downloading the program.
- Support 2.4GHz signal, not 5GHz signal.
- The distance between feeder and home WiFi should not be too far, make sure both can be connected.

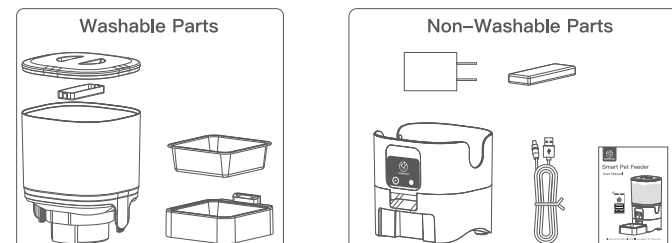


-08-

Product Disassembly & Cleaning



Note: In addition to the host part of the feeder's other assembled parts can be disassembled and cleaned.



-09-

Q&A Trouble Shooting

Q:Why I can not connect to the WIFI?

A:Please check if power supply has been connected,Then make sure you select the 2.4G instead of 5G WIFI.Then connect it again.

Q:Why feed on the APP but no food dispensing from the feeder?

A:If the APP shows the feeding has been succeeded,but no food dispensing from the feeder.Firstly suggest to check if the food tank got enough food .Secondly if the impellers have been rotated normally.(You can Judge from the sound).Thirdly suggest to feed again for few more times to avoid the signal delay cause for the troubles.(Internet delay).

Q:Why I can not login my Smart life account?

A.Firstly, please check if the feeder has been connected to the WiFi properly. Secondly,please check if the account has been occupied by others. Suggest to unload and Reinstall the APP.

Q:Is it possible to set up a feeder schedule when the feeder is on battery power?

A: When powered by battery only, you can use all the functions of the APP, including setting a new feeding schedule. In the networked state, the device consumes more power to run all functions, and can only support less than a day with battery power only. (It is recommended to use both battery and power supply in daily use).

100% After Sales Service

We provide a 1-year warranty for this appliance.

Please email our support team at service@papifeed.cn if you have any questions, attach your order number and describe your problem in your email. We will get back to you within 24 hours.

-10-