

winees M3 Pro Indoor Outdoor Security Spotlight Camera



# winees M3 Pro Indoor Outdoor Security Spotlight Camera User Guide

[Home](#) » [winees](#) » winees M3 Pro Indoor Outdoor Security Spotlight Camera User Guide 

## Contents

- [1 winees M3 Pro Indoor Outdoor Security Spotlight Camera](#)
- [2 IN THE BOX](#)
- [3 PRODUCT OVERVIEW](#)
- [4 INSTALLATION](#)
- [5 Documents / Resources](#)
  - [5.1 References](#)
- [6 Related Posts](#)

# winees

winees M3 Pro Indoor Outdoor Security Spotlight Camera



**IN THE BOX**

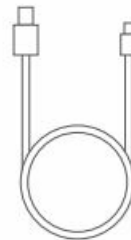
**NOTE:** If 2 Pack all items will be doubled, except the quick start guide



Camera



Power Adapter



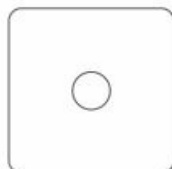
Charging Cable



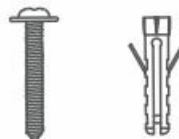
Reset Pin



Quick Start Guide



3M Tape

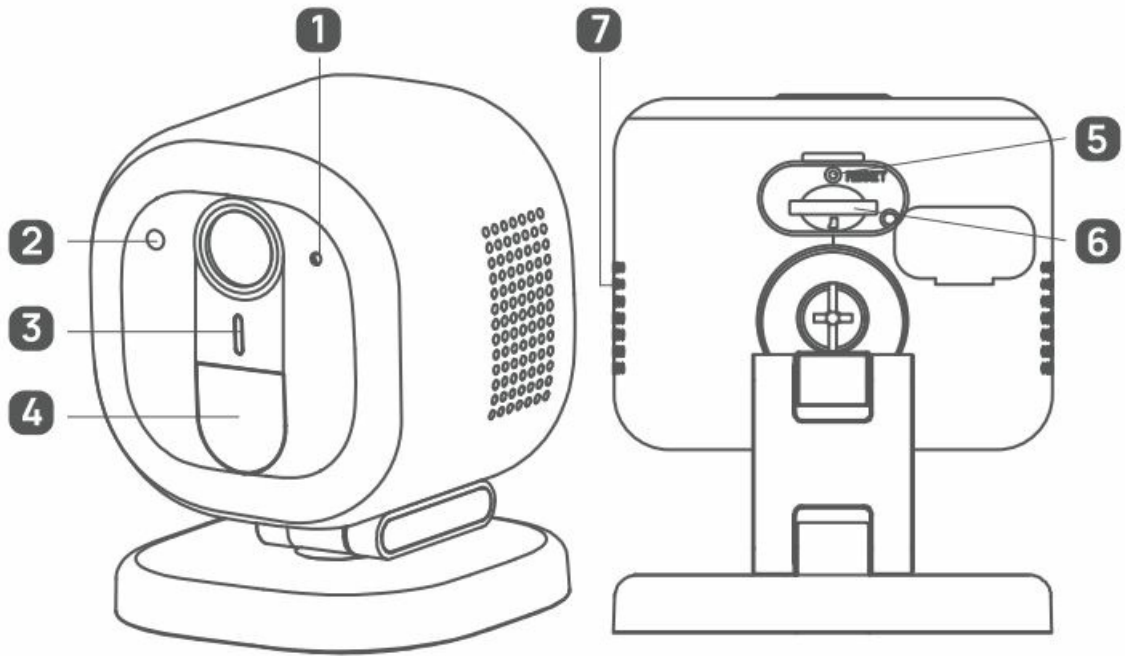


Screw Pack



Security Label

**PRODUCT OVERVIEW**

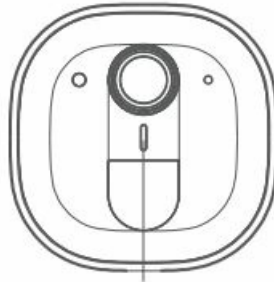


1. Microphone
2. Light Sensor
3. LED Indicator
4. Spotlight
5. Reset Button
6. MicroSD Slot (SD card not included)
7. Speaker

## APP SETUP

1. Scan the QR code below to download the Ai Dot APP Or search for "AiDot" in App Store or Google Play





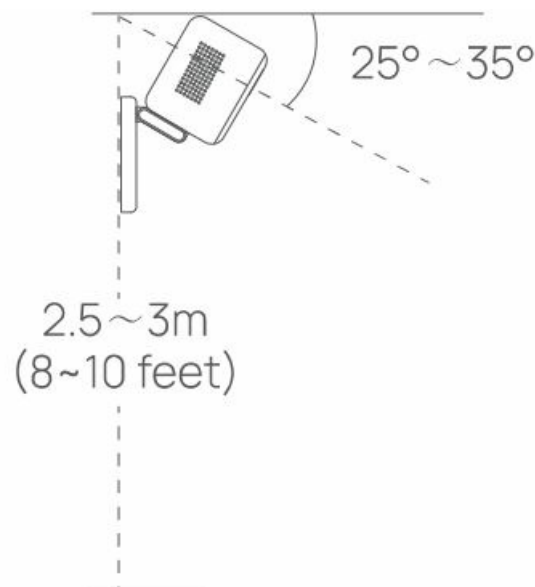
LED indicator flashing green

2. Power on the camera, you will hear "Waiting for Wi-Fi configuration" with the camera's indicator light flashing in green.
3. In the AiDot app, press "+", select "Scan" to scan the device QR code, and then follow the instructions on App.
4. Place the camera in the area where you plan to install to test the video quality, ensure that the camera can work normally after the final installation.

## INSTALLATION

### Install on the wall

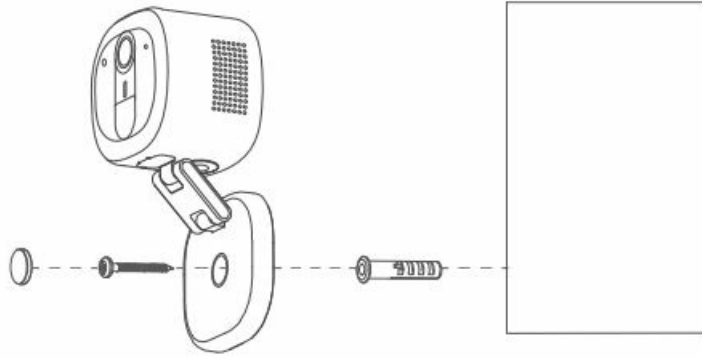
- For a better user experience, we recommend you to install the camera as the below conditions.



- Drill a hole with a 13/64 inch (5.16mm) drill bit, then insert the anchor into the hole. The anchor is necessary for walls that are made by hard materials such as concrete, brick or stucco. (3M tape can be used to fix the position before screw driven in.)

### Install on the ceiling

- Install on the ceiling (3M tape can be used to fix the position before screw driven in.)



- Place on the table or other flat surface (3M tape can be used to fix the position.)

## LIGHT INDICATIONS

Status	Description
Solid Red	Power on / System booting / Factory resetting
Flashing Red	Wireless connection / cloud connecting fail
Solid Green	Wireless connected
Flashing Green	System ready for WiFi setup / Firmware update
Red and Green flashing alternately	Unable to connect to the cloud

## CAUTIONS

To avoid personal injury and/or possible product damage, the following cautions must be followed:

1. Please use the provided adapter instead of others in case of any damage to the product.
2. Keep out of reach of children. This product contains small parts, which can cause choking or injury if ingested.
3. To prevent early failure, the camera should only be installed in operating environments ranging between -20°C -50°C(-4°F -122°F).
4. Do not install
  - close to heat source
  - near the metal objects and mirrors that cause radio signal attenuation or shading.
5. Do not disassemble or reinstall the camera, otherwise it may cause security risks.
6. Unplug the power cord before cleaning. Do not clean the camera with any liquids, spray cleaner or wet cloth.
7. The slot and opening are used for ventilation, not allowed to be blocked or covered.
8. This product only can be connected to 2.4G WIFI.

**Note:**

The grantee is not responsible for any changes or modifications not expressly approved by the party responsible for compliance. Such modifications could void the user's authority to operate the equipment.

**Note:**

This equipment has been tested and found to comply with the limits for a Class B digital device, pursuant to part 15 of the FCC Rules. These limits are designed to provide reasonable protection against harmful interference in a residential installation. This equipment generates uses and can radiate radio frequency energy and, if not installed and used in accordance with the instructions, may cause harmful interference to radio communications. However, there is no guarantee that interference will not occur in a particular installation. If this equipment does cause harmful interference to radio or television reception, which can be determined by turning the equipment off and on, the user is encouraged to try to correct the interference by one or more of the following measures:

- Reorient or relocate the receiving antenna.
- Increase the separation between the equipment and receiver.
- Connect the equipment into an outlet on a circuit different from that to which the receiver is connected.
- Consult the dealer or an experienced radio/TV technician for help.

**FCC Statement**

This device complies with Part 15 of the FCC Rules. Operation is subject to the following two conditions:

1. This device may not cause harmful interference.
2. This device must accept any interference received, including interference that may cause undesired operation.

**RF Exposure Statement**

This equipment complies with FCC radiation exposure limits set forth for an uncontrolled environment. This equipment should be installed and operated with minimum distance of 20 cm between the radiator and your body.

**ISED Statement**

This device contains licence-exempt transmitter(s) /receiver(s) that comply with Innovation, Science and Economic Development Canada's licence-exempt RSS(s). Operation is subject to the following two conditions:

1. This device may not cause interference.
2. This device must accept any interference, including interference that may cause undesired operation of the device.

This equipment should be installed and operated with a minimum distance of 20cm between the radiator and any part of your body.

**NEED HELP?**

Email our support team: [support@iwinees.com](mailto:support@iwinees.com)



Help Center

**ADDRESS:** Linkzone Technology Co., Limited Room 510, 5/F, Wayson Commercial Building, 28 Connaught Road West, Sheung Wan, Hong Kong

**Phone:** 1-888-846-6470

**Website:** [www.iwinees.com](http://www.iwinees.com)


## Made in China

1. This device may not cause interference.
2. This device must accept any interference, including interference that may cause undesired operation of the device.

This equipment should be installed and operated with a minimum distance of 20cm between the radiator and any part of your body.

---

## Documents / Resources

	<p><a href="#">winees M3 Pro Indoor Outdoor Security Spotlight Camera</a> [pdf] User Guide WP32001114, 2AYZ8WP32001114, M3 Pro, M3 Pro Indoor Outdoor Security Spotlight Camera , Indoor Outdoor Security Spotlight Camera, Outdoor Security Spotlight Camera, Security Spotlight Camera, Spotlight Camera, Camera</p>
--	--

## References

- [User Manual](#)