



Notabrick Ki Waterproof Wireless Speaker User Manual

[Home](#) » [notabrick](#) » Notabrick Ki Waterproof Wireless Speaker User Manual 

Contents

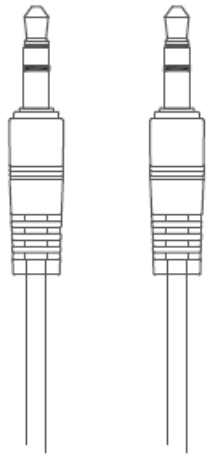
- [1 Notabrick Ki Waterproof Wireless Speaker](#)
- [2 COMPONENTS](#)
- [3 ILLUSTRATION](#)
- [4 Parameters](#)
- [5 FUNCTION BUTTONS](#)
- [6 LED Indicator](#)
- [7 FCC STATEMENT](#)
- [8 Documents / Resources](#)
- [9 Related Posts](#)

Notabrick

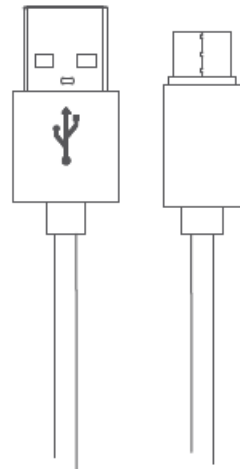
Notabrick Ki Waterproof Wireless Speaker



COMPONENTS

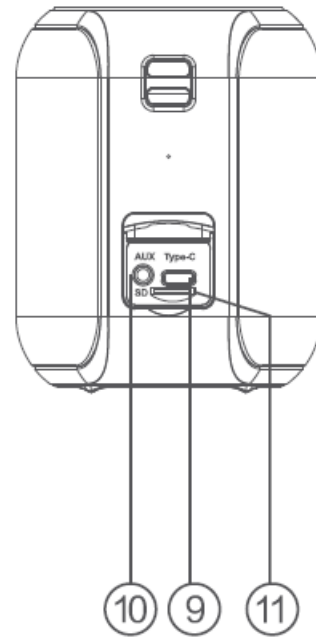
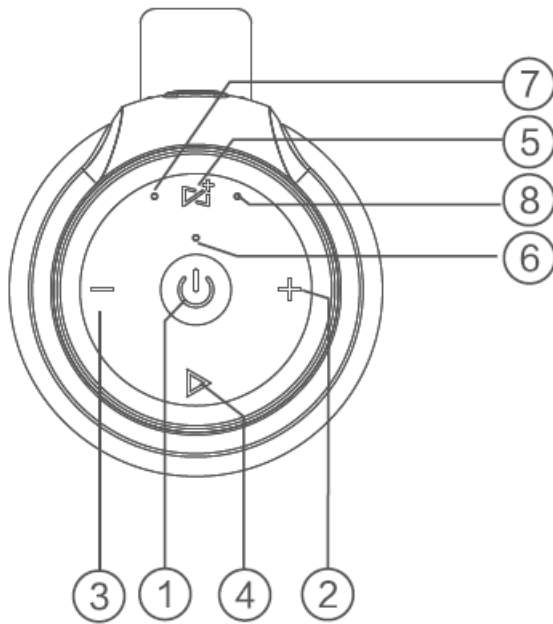


3.5mm audio cable



Type -C charging cable

ILLUSTRATION








1. Power ON/OFF
2. Volume+/Next Track
3. Volume-/Previous Track
4. Play/Pause/Answer or Reject Phone Call
5. TWS
6. Power Indicator
7. Master speaker Status Indicator
8. Slaver speaker Status Indicator
9. Charging Port
10. AUX IN
11. Micro SD Port

Parameters

- Wireless Version: 5.0
- Transmission Range: <30m (Open Field)
- Output Power: 15W
- Battery: 3.7V/ 1800mAH
- Driver Unit: 60mm
- Power Supply: Type-C 5V/1A
- Frequency Response: 115hz-15kHZ
- Distortion: <1.0%
- Playing Time: 15hours (@60dB SPL)
- Charging Time: 3 hours

FUNCTION BUTTONS

| Key | Operation | Instruction |
|--|-------------|--|
|  | Short Press | 1. Switch: Wireless / Micro SD / AUX |
| | Long Press | 1. When it's off, press 2 seconds to turn on; 2. When it's on, press 2 seconds to turn off. |
|  | Short Press | Volume Up, 16 degrees in total |
| | Long Press | Next track |
|  | Short Press | 1. In music playing state: short press to play/stop; 2. In incoming calls state: short press to answer calls; 3. In answering calls state: short press to hang up; 4. On Wireless connected status: quick double click to dial the last dialed number |
| | Long Press | 1. Long press 2 seconds enter pairing mode; 2. Long press 6seconds to automatic reset and power off when the speaker abnormal or crash |
|  | Short Press | Volume Down, 16 degrees in total |
| | Long Press | Previous track |
|  | Short Press | When the speaker is on and connected to a Wireless device, short press once to activate voice assistant |
| | Long Press | 1. Long press to enter TWS connection, 2. Long press when Tws connection will disconnect TWS connection. 3. Press and hold for 6 seconds to clear the pairing information and restore the default volume with a tone, it will automatically shut down. |

LED Indicator

The top indicator

1. The blue LED blinks when Wireless waiting for pairing; the blue light turn solid when Wireless is connected; the blue light turn solid in TF and AUX modes; breathe while playing;
2. The master speaker blue light of the TWS mode turn solid, breathe while playing; the slaver speaker blue light of the TWS mode is blinks
3. When TWS mode in searching, two white LED light alternately. After the TWS connection Successtul, master speaker left white LED ight turn solid and the slaver speaker right white LED light turn solid.
4. The red light is always on when charging; the red light is off and the green light is on when fully charged; the red light blinks when the battery is low.

Wireless Pairing

Power on speaker the blue LED will blinks, go to Wireless setting on your device, find Notabrick Ki select to pair.

Micro SD/AUX Mode

1. Max support reading 64GB Micro SD card
2. Insert any Micro SD card, the speaker will playing the audio files in the Micro SD card automatically.

3. Insert the 3.5mm audio cable, the speaker will shift to AUX mode

How to pair your device?

1. Please make sure these two speakers to be paired disconnect from your bluetooth device before you turn them on. Then please turn on two speakers.
2. Select either of the speakers. Press “TWS” button for 2 seconds. until you hear indicator tone
3. When successful paired, The LED indication light on one speaker will stay blue, and the other speaker will blink.
4. Select the searching mode on your device, When your device finds ” Notabrick Ki “, select it and connect.
5. The LED indication light on both the speakers will turn white when your device is connected. They will perform as the stereo sounding system.
6. Once the speakers are well paired at the first time, they will be automatically paired next time without the above pairing operation.
7. If the speaker used to be paired, it is suggested to press “TWS” button for 6 seconds to forcibly cut off the power. Then restart and have the same speaker re-paired with the required new speaker according to the above instruction item 1-item 5.
8. When speakers are paired, double-clicking the “TWS” button again will disconnect the TWS connection;
9. When speakers are paired, only the master speaker has hands-free function, and the slaver speaker is silent.

FCC STATEMENT

Federal Communications Commission (FCC) Statement. This device complies with part 15 of the FCC Rules. Operation is subject to the following two conditions:

1. This device may not cause harmful interference, and
2. this device must accept any interference received, including interference that may cause undesired operation.

Note: This equipment has been tested and found to comply with the limits for a Class B digital device, pursuant to part 15 of the FCC Rules. These limits are designed to provide Reasonable protection against harmful interference in a residential installation. This equipment generates, uses and can radiate radio frequency energy and, if not installed and used in accordance with the instructions, may cause harmful interference to radio communications. However, there is no guarantee that interference will not occur in a particular installation. If this equipment does cause harmful interference to radio or television reception, which can be determined by turning the equipment off and on, the user is encouraged to try to correct the interference by one or more of the following measures:

- Reorient or relocate the receiving antenna.
- Increase the separation between the equipment and receiver.
- Connect the equipment into an outlet on a circuit different from that to which the receiver is connected.
- Consult the dealer or an experienced radio/TV technician for help.

Warning: Changes or modifications made to this device not expressly approved by Shenzhen Lenodell Technology Co., Ltd may void the FCC authorization to operate this device.

Note: The manufacturer is not responsible for any radio or TV interference caused by unauthorized modifications to this equipment. Such modifications could void the user's authority to operate the equipment.

RF exposure statement

This device complies with FCC RF radiation exposure limits set forth for an uncontrolled environment. The device is installed and operated without restriction.

Documents / Resources



[Notabrick Ki Waterproof Wireless Speaker](#) [pdf] User Manual

KI, 2APEI-KI, 2APEIKI, Ki Waterproof Wireless Speaker, Ki, Waterproof Wireless Speaker, Wireless Speaker, Speaker

[Manuals+](#).