



yeedi mop station Robot Vacuum Instruction Manual

[Home](#) » [yeedi](#) » [yeedi mop station Robot Vacuum Instruction Manual](#) 

Contents

- [1 yeedi mop station Robot Vacuum](#)
- [2 Important Safety Instructions](#)
- [3 Removal of the Battery](#)
- [4 Package Contents](#)
 - [4.1 Product Diagram](#)
- [5 Operating and Programming](#)
- [6 Maintenance](#)
 - [6.1 Main Brush & Edge Brush](#)
- [7 Troubleshooting](#)
- [8 Product Specifications](#)
- [9 Documents / Resources](#)
 - [9.1 References](#)
- [10 Related Posts](#)



yeedi mop station Robot Vacuum



Important Safety Instructions

When using an electrical appliance, basic precautions should always be followed, including the following:
READ ALL INSTRUCTIONS BEFORE USING THIS APPLIANCE. SAVE THESE INSTRUCTIONS

1. This Appliance can be used by children aged from 8 years and above and persons with reduced physical, sensory or mental capabilities or lack of experience and knowledge if they have been given supervision or instruction concerning use of the Appliance in a safe way and understand the hazards involved. Children shall not play with the Appliance. Cleaning and user maintenance shall not be made by children without supervision.
2. Clear the area to be cleaned. Remove power cords and small objects from the floor that could entangle the Appliance. Tuck rug fringe under the rug base, and lift items such as curtains and tablecloths off the floor.
3. If there is a drop off in the cleaning area due to a step or stairs, you should operate the Appliance to ensure that it can detect the step without falling over the edge. It may become necessary to place a physical barrier at the edge to keep the unit from falling. Make sure the physical barrier is not a trip hazard.
4. Only use as described in this manual. Only use attachments recommended or sold by the manufacturer.
5. Please make sure your power supply source voltage matches the power voltage marked on the Self-cleaning Station.
6. For INDOOR household use ONLY. Do not use the Appliance in outdoor, commercial or industrial environments.
7. Use only the original rechargeable battery and Self-cleaning Station provided with the Appliance from the manufacturer. Non-rechargeable batteries are prohibited. For battery information, please refer to Specifications section.

8. Do not use without dust bin and/or filters in place.
9. Do not operate the Appliance in an area where there are lit candles or fragile objects.
10. Do not use and store in extremely hot or cold environments (below -5°C /23°F or above 40°C/104°F). Please charge the robot in temperature above 0°C/32°F and below 40°C/104°F.
11. Keep hair, loose clothing, fingers, and all parts of body away from any openings and moving parts.
12. Do not operate the Appliance in a room where an infant or child is sleeping.
13. Do not use Appliance on wet surfaces or surfaces with standing water.
14. Do not allow the Appliance to pick up large objects like stones, large pieces of paper or any item that may clog the Appliance.
15. Do not use Appliance to pick up flammable or combustible materials such as gasoline, printer or copier toner, or use in areas where they may be present.
16. Do not use Appliance to pick up anything that is burning or smoking, such as cigarettes, matches, hot ashes, or anything that could cause a fire.
17. Do not put objects into the suction intake. Do not use if the suction intake is blocked. Keep the intake clear of dust, lint, hair, or anything that may reduce air flow.
18. Take care not to damage the power cord. Do not pull on or carry the Appliance or Self-cleaning Station by the power cord, use the power cord as a handle, close a door on the power cord, or pull power cord around sharp edges or corners. Do not run Appliance over the power cord. Keep power cord away from hot surfaces.
19. If the power cord is damaged, it must be replaced by the manufacturer or its service agent in order to avoid a hazard.
20. Do not use with a damaged power cord or receptacle. Do not use the Appliance or Self-cleaning Station if it is not working properly, has been dropped, damaged, left outdoors, or come in contact with water. It must be repaired by the manufacturer or its service agent in order to avoid a hazard.
21. Do not use with a damaged power cord or receptacle. Do not use the Appliance or Self-cleaning Station if it is not working properly, has been dropped, damaged, left outdoors, or come in contact with water. It must be repaired by the manufacturer or its service agent in order to avoid a hazard.
22. Turn OFF the power switch before cleaning or maintaining the Appliance.
23. The plug must be removed from the receptacle before cleaning or maintaining the Self-cleaning Station.
24. Remove the Appliance from the Self-cleaning Station, and turn OFF the power switch to the Appliance before removing the battery for disposal of the Appliance.
25. The battery must be removed and discarded according to local laws and regulations before disposal of the Appliance.
26. Please dispose of used batteries according to local laws and regulations.
27. Do not incinerate the Appliance even if it is severely damaged. The batteries can explode in a fire.
28. When not using the Self-cleaning Station for a long period of time, please unplug it.
29. The Appliance must be used in accordance with the directions in this Instruction Manual. yeedi cannot be held liable or responsible for any damages or injuries caused by improper use.
30. The robot contains batteries that are only replaceable by skilled persons. To replace the robot's battery, please contact Customer Service.
31. If the robot will not be used for a long time, power OFF the robot for storage and unplug the Self-cleaning Station.
32. **WARNING:** For the purposes of recharging the battery, only use the detachable supply unit CH2028 provided with the Appliance.

33. Do not run the appliance over cables or supply cords.
34. The plug must be removed from the socket-outlet before cleaning or maintaining the appliance.
35. Make sure the lid is tightened after filling up the reservoir. An untightened lid may cause water leakage.

To satisfy RF exposure requirements, a separation distance of 20 cm or more should be maintained between this device and persons during device operation.

To ensure compliance, operations at closer than this distance is not recommended. The antenna used for this transmitter must not be co-located in conjunction with any other antenna or transmitter.

For EU Countries

For EU Declaration of Conformity information, visit <https://www.yeedi.com/support>

Correct Disposal of this Product

This marking indicates that this product should not be disposed of with other household waste throughout the EU. To prevent possible harm to the environment or human health from uncontrolled waste disposal, recycle it responsibly to promote the sustainable reuse of material resources. To recycle your used device, please use the return and collection systems or contact the retailer where the product was purchased. They can safely recycle this product.

Correct Disposal of the Battery

If the robot battery is to be discarded, please hand it over to the nearest recycling station or after-sales service for correct centralized disposal.

The following instructions are NOT for users, but for the professional battery disposer.

The chemical substances contained in the battery could cause pollutions. Before disposing of the robot, please remove the battery in advance.

Removal of the Battery

The following instruction is only applicable when disposing of the robot. It is NOT an operation instruction for use or maintenance. The battery can only be removed when the battery is completely exhausted. Under no circumstances should the battery come in contact with metal objects.

Keep the robot powered ON when it is not on the docking station until it is out of power.

Turn off the robot power switch.

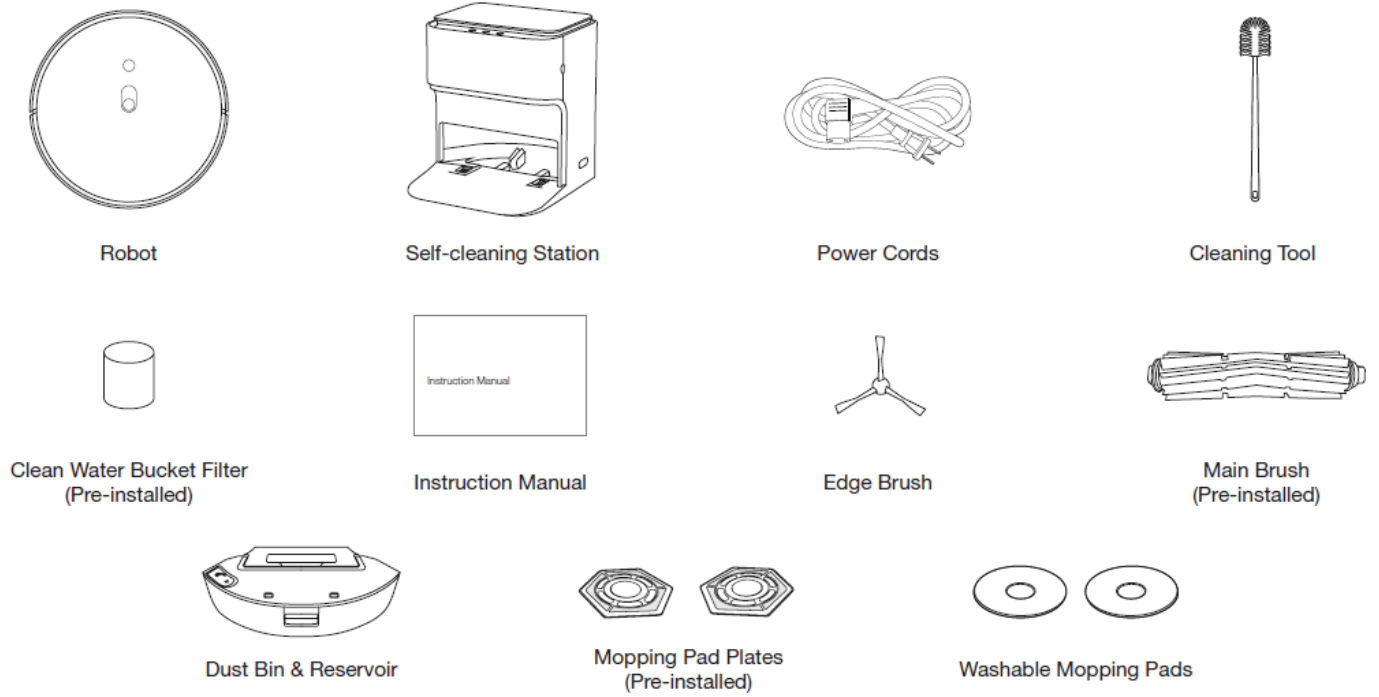
Remove the screws on the battery cover.

Remove the battery cover.

Pull out the connector plug of the battery and remove it.

CAUTION Leakage of the battery will cause human injury. If the battery leaks, make sure to avoid contact with eyes or skin. In case of accidental contact, flush immediately with large amounts of clean water. If any irritation persists, please seek medical attention.

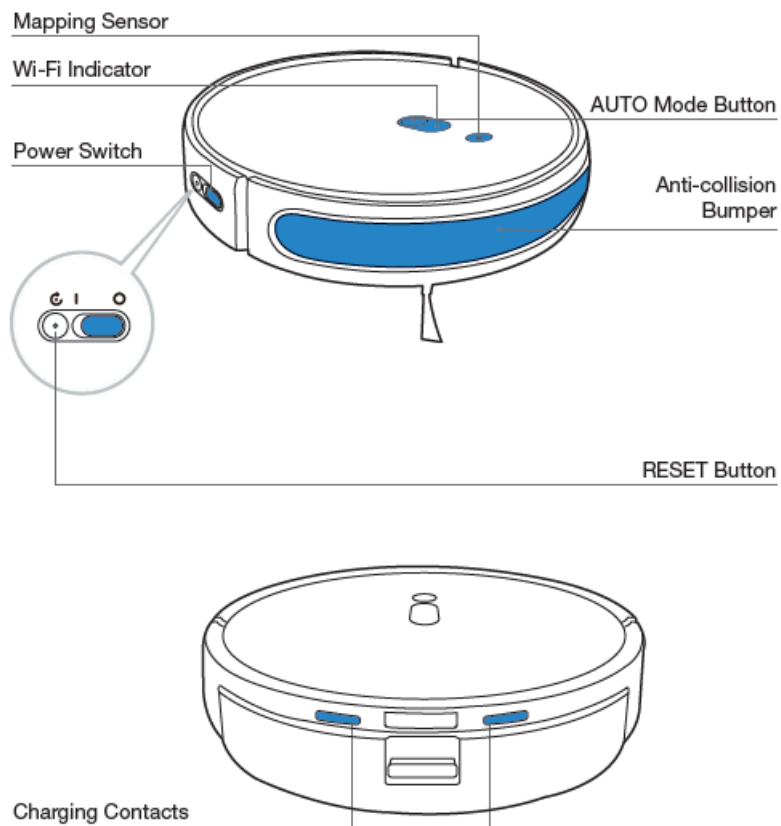
Package Contents



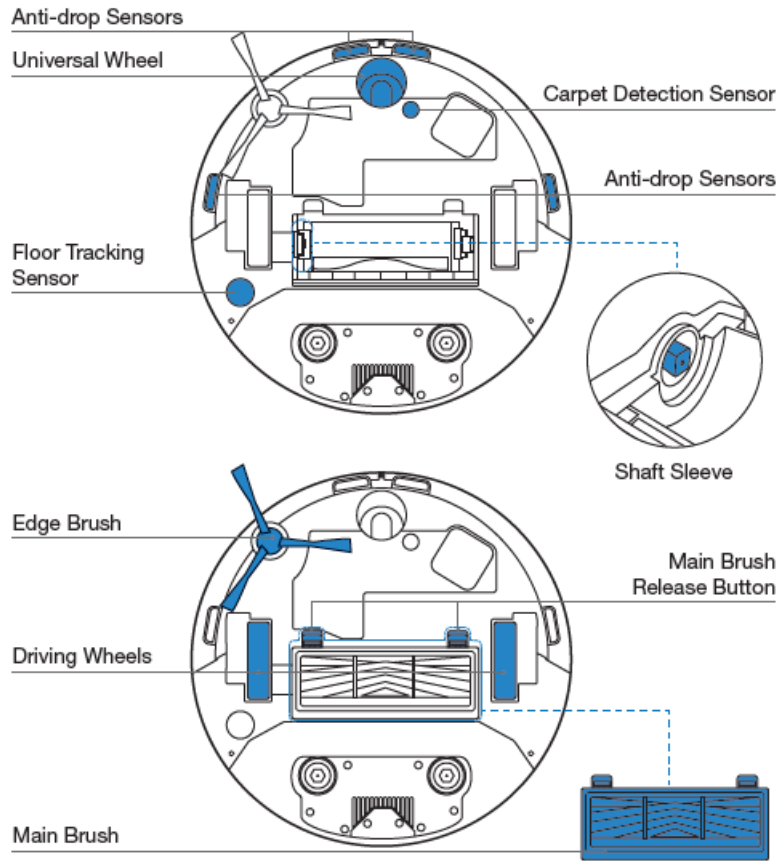
Note: Figures and illustrations are for reference only and may differ from actual product appearance. Product design and specifications are subject to changes without notice.

Product Diagram

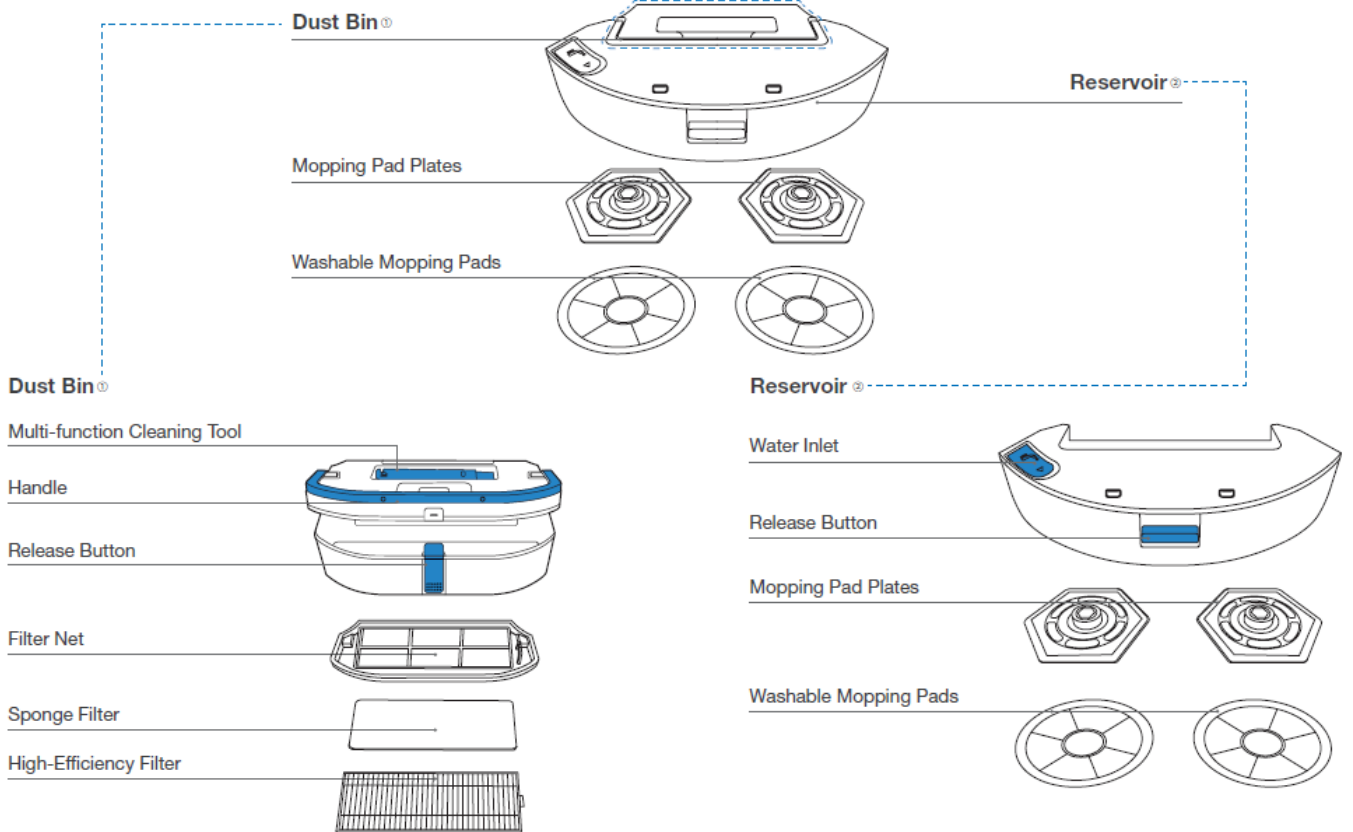
Robot



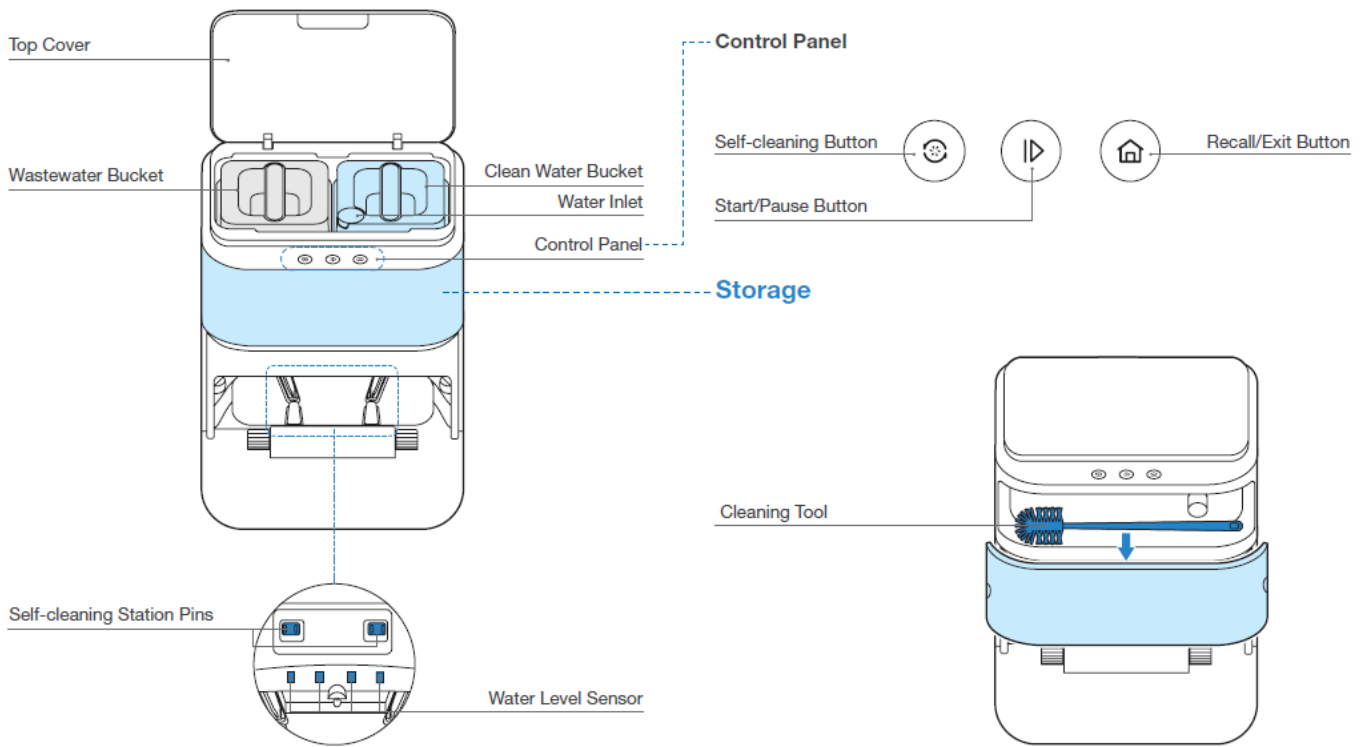
Bottom View



Dust Bin & Reservoir



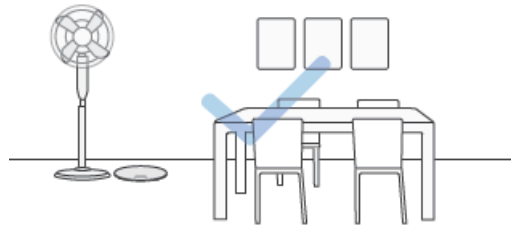
Self-cleaning Station



Operating and Programming

Notes Before Cleaning

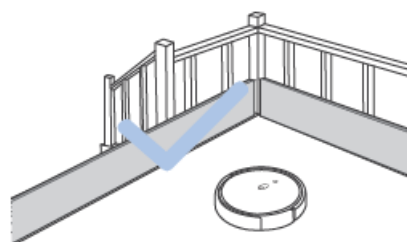
Tidy up the area to be cleaned by putting furniture, such as chairs, in their proper place.



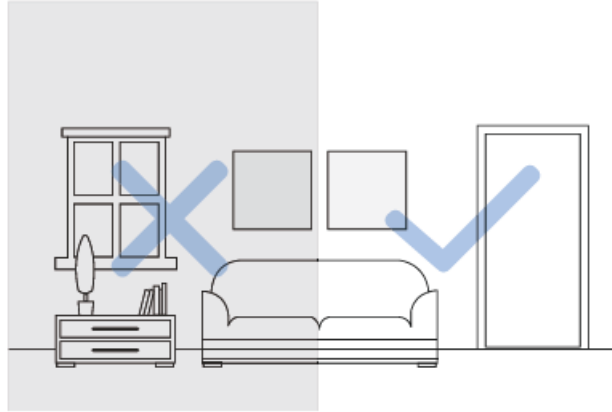
During the first use, make sure each room door is open to help Robot fully explore your house.



It may be necessary to place a physical barrier at the edge of a drop to stop the unit from falling over the edge.



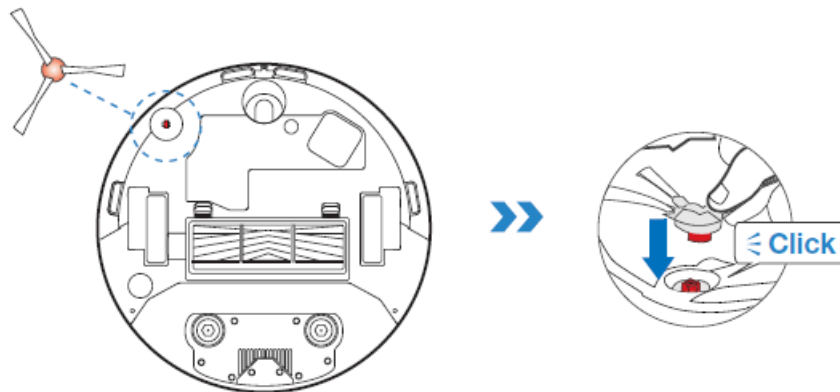
Make sure areas to be cleaned are well illuminated so Mapping Sensor works properly.



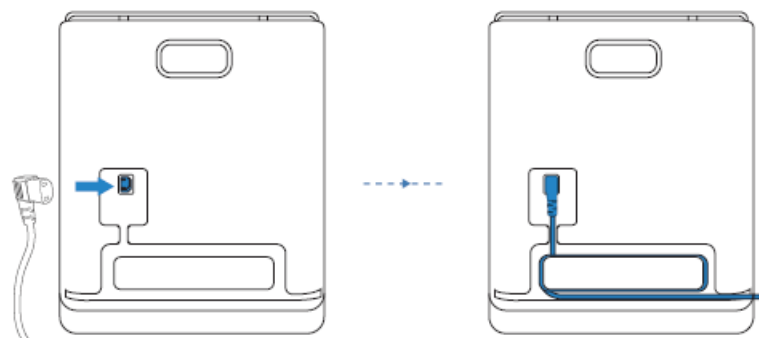
- Before using the product on a rug with tasseled edges, please fold the rug edges under.
- Put away objects including wires, cloths and slippers, etc. on the floor to improve the cleaning efficiency.
- Please do not stand in narrow spaces, such as hallways, and make sure not to block the Detection Sensor.

Quick Start

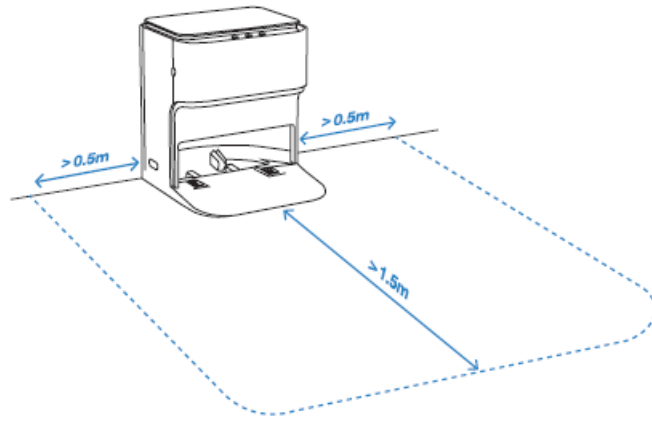
1. Install Edge Brush



2. Assemble Self-cleaning Station

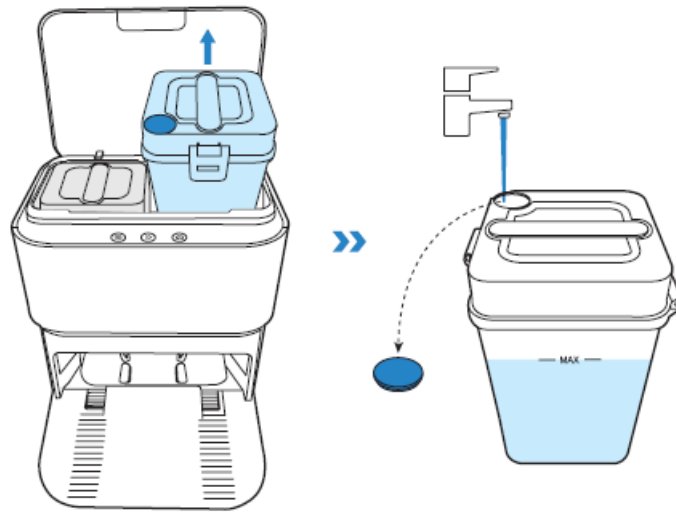


3. Self-cleaning Station Placement

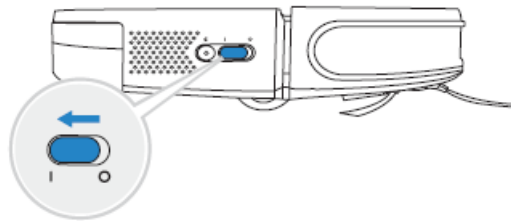


Keep the area around the Station clear of objects and reflective object surfaces.

4. Add Water to Clean Water Bucket



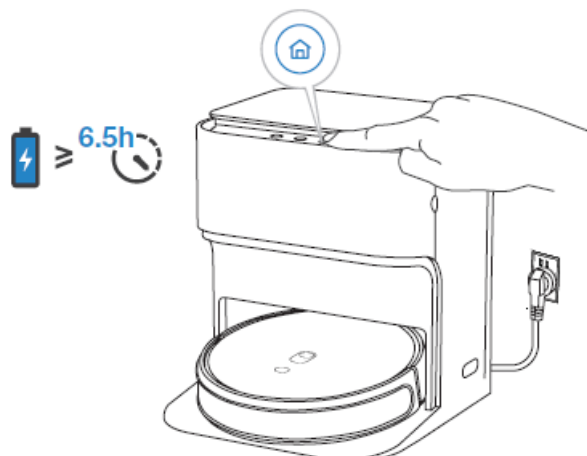
5. Power ON



Note: I = ON, O = OFF.

Robot cannot be charged when being powered OFF.

6. Charge Robot

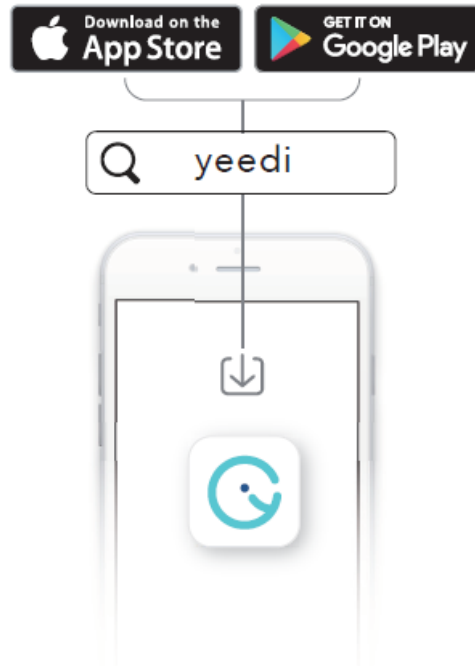


yeedi App

To enjoy all available features, it is recommended to control your Robot via the yeedi App.

Before you start, make sure that:

- Your mobile phone is connected to a Wi-Fi network.
- The 2.4GHz band wireless signal is enabled on your router.
- The Wi-Fi indicator light on Robot is slowly flashing.



Wi-Fi Indicator Light

	Slowly flashing	Disconnected to Wi-Fi or waiting for Wi-Fi connection
	Rapidly flashing	Connecting to Wi-Fi
	Solid	Connected to Wi-Fi

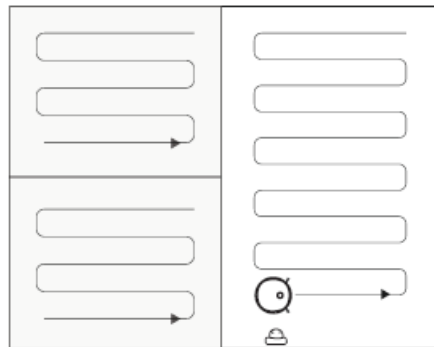
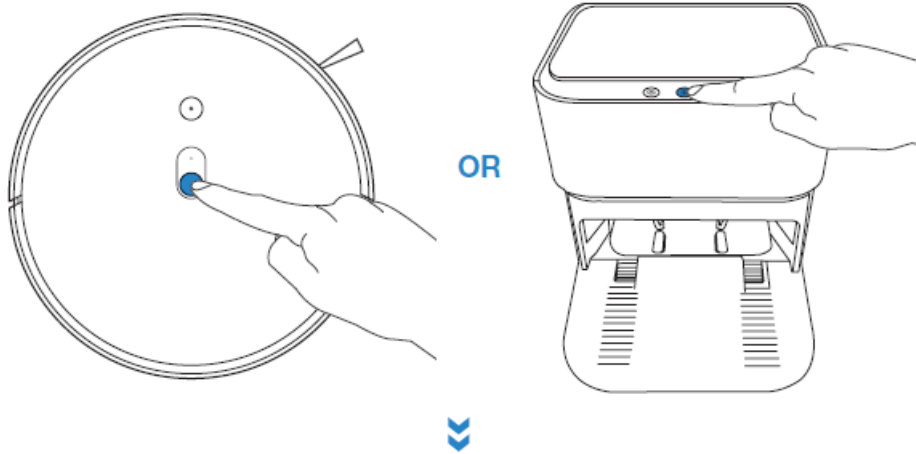
Tips:

If you have any problems during the Wi-Fi setup process, refer to the Troubleshooting > Wi-Fi Connection section in this manual.

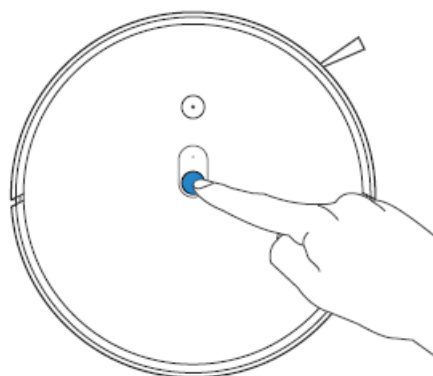
Operating Robot

1. Start

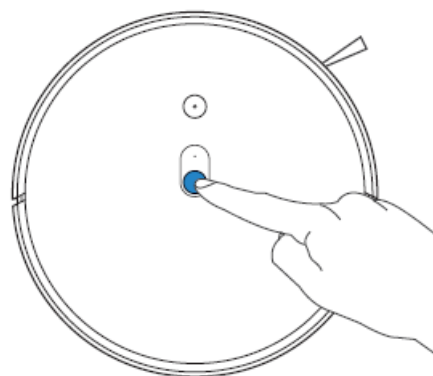
Please start mapping in Vacuum Mode to ensure efficiency. Take off the Mopping Pad Plates to switch to Vacuum Mode; Do not remove the Reservoir.



2. Pause

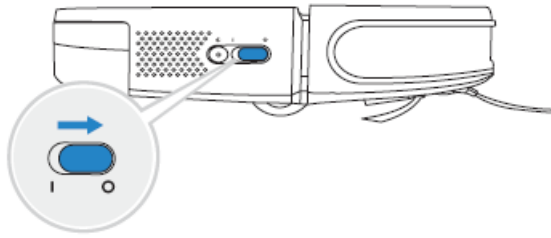


3. Wake Up



4. Power OFF

Note: When Robot is not working, it is recommended to keep it switched ON and charging.

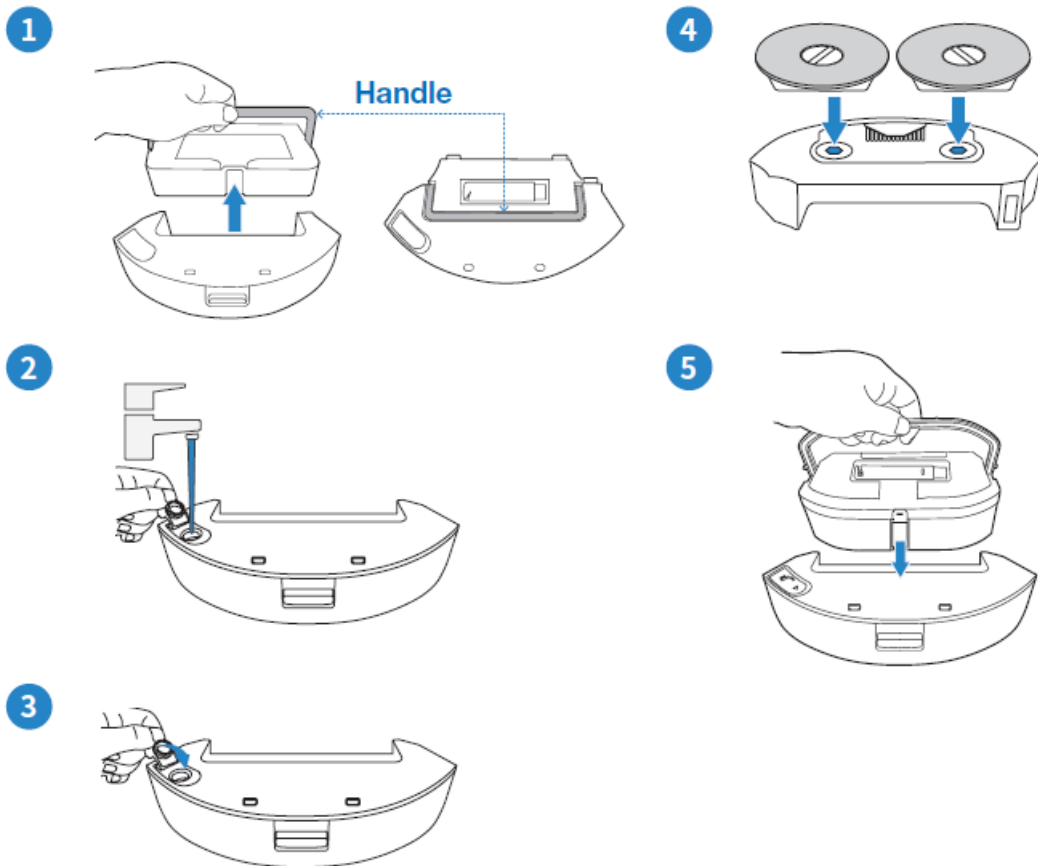


Dust Bin & Reservoir

Note:

1. To prolong the service life of the reservoir, it is recommended to use purified water or softened water for the mopping system.
2. Empty the reservoir after Robot finishes mopping.

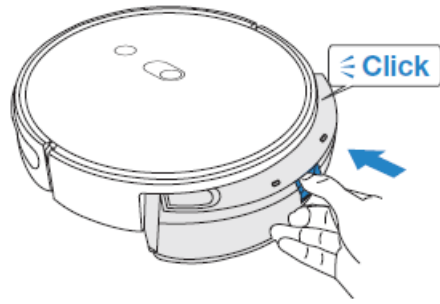
Add Water



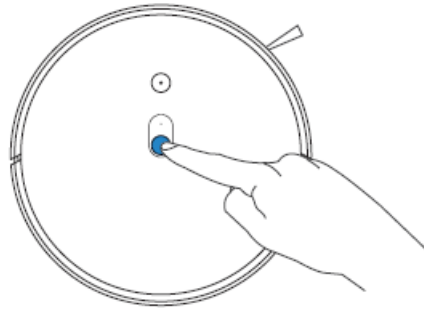
*Make sure the lid is tightened.
An untightened lid may cause water leakage.

Install Dust Bin & Reservoir

1

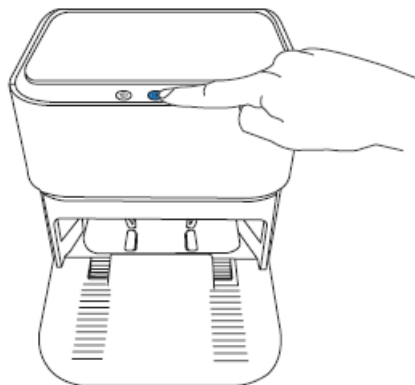


2

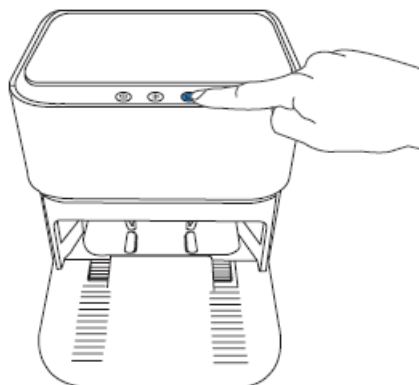


Self-cleaning Station

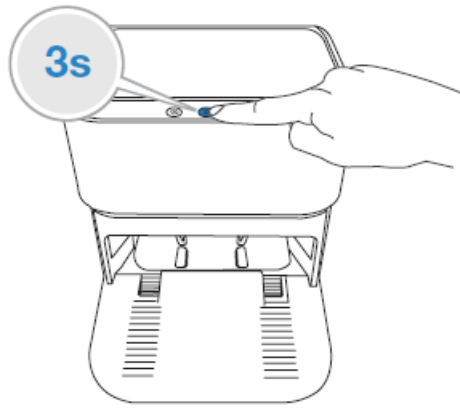
1. Start/Pause Robot



2. Recall Robot/ Direct Robot to Exit Self-cleaning Station



3. End Cleaning Task, Direct Robot Back to Self-cleaning Station & Start Cleaning Mopping Pads



Maintenance

Regular Maintenance

To keep Robot running at peak performance, perform maintenance tasks and replace parts with the following frequencies:

Robot Part	Maintenance Frequency	Replacement Frequency
Washable Mopping Pads	/	Every 3 months
Edge Brush	Once every 2 weeks	Every 3-6 months
Main Brush	Once per week	Every 6-12 months
Sponge Filter/High Efficiency Filter	Once per week	Every 3-6 months
Mapping Sensor Universal Wheel Anti-Drop Sensors Bumper Charging Contacts Self-cleaning Station Pins	Once per week	/
Cleaning Tank	Once every 2 weeks	/
Clean Water Bucket	Once every 3 weeks	/
Wastewater Bucket	After each use	/

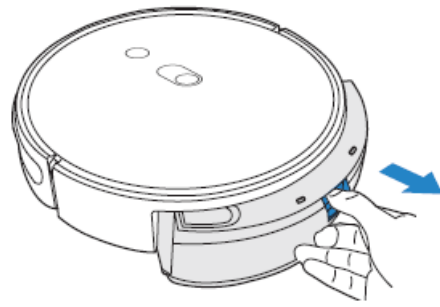
A multi-function Cleaning Tool is provided for easy maintenance. Handle with care, this cleaning tool has sharp edges.

Note: yeedi manufactures various replacement parts and fittings. Please contact Customer Service for more information on replacement parts.

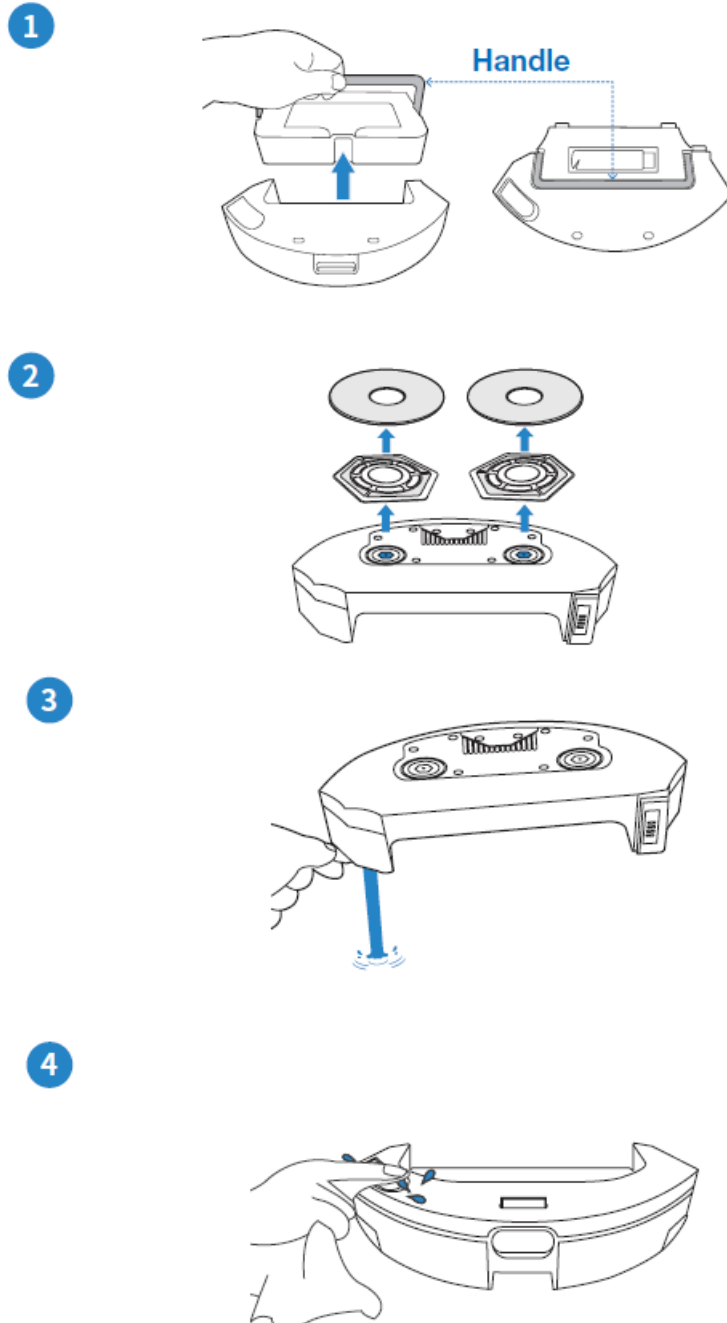
Dust Bin & Reservoir

Before performing cleaning and maintenance tasks on Robot, turn the robot OFF and unplug Self-cleaning Station.

Note: After Robot finishes cleaning, empty the Reservoir.



Reservoir

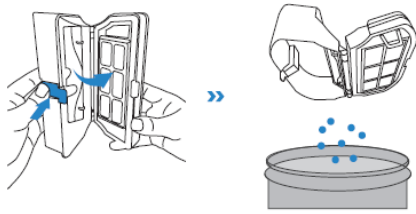


Note:

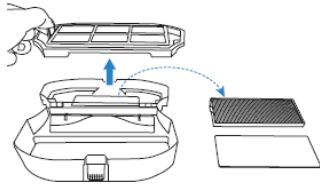
1. Use the Self-cleaning Station to clean and dry the Washable Mopping Pads. To extend the life of the Washable Mopping Pads, do not remove them from the Mopping Pad Plates too often.
2. Rinse the Mopping Pad Plates with water. Do not use a cloth or any other object to scrape the plates as this may shorten the life of its fastener.
3. Please replace the Washable Mopping Pads when yeedi APP prompts. To purchase accessories, please visit

Dust Bin

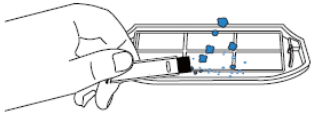
1



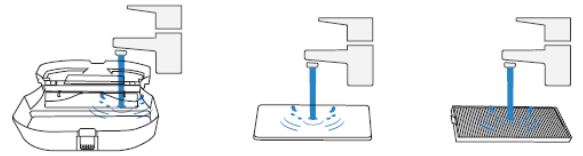
2



3



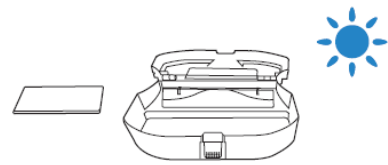
4



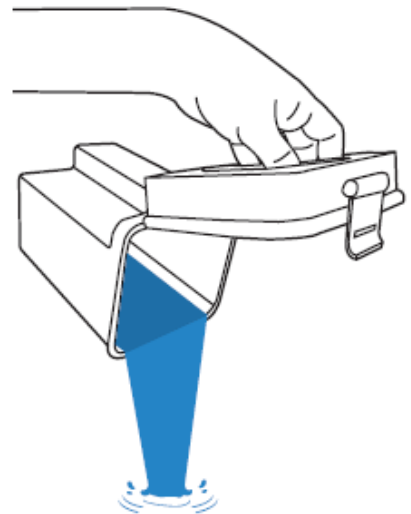
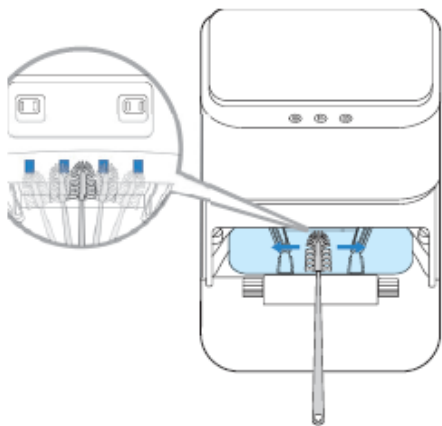
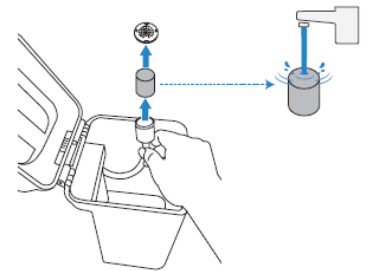
Note:

1. Please rinse the filter with water as shown above.
2. Do not use finger or brush to clean the filter.
3. Be sure to dry out the filter for at least 24 hours after washing.

5



Self-cleaning Station

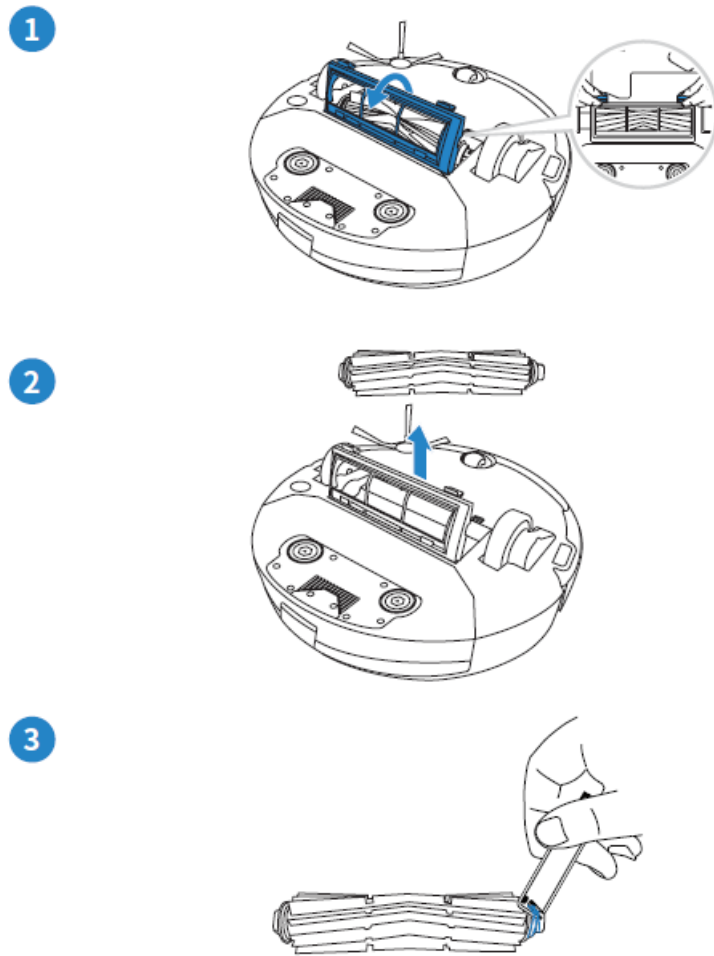


1. Add Water to Cleaning Tank
2. Clean Cleaning Tank
3. Drain the Water Out of Cleaning Tank

- 4. Empty Wastewater Bucket
- 5. Clean the Clean Water Bucket Filter

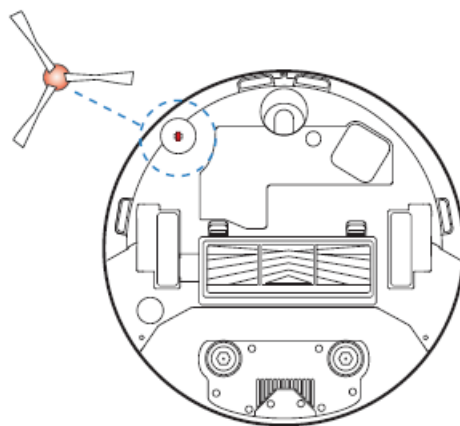
Main Brush & Edge Brush

Main Brush

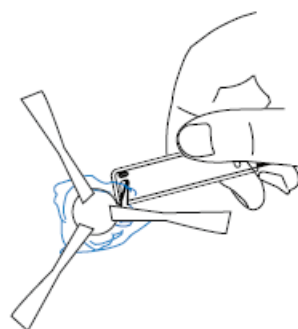


Edge Brush

1



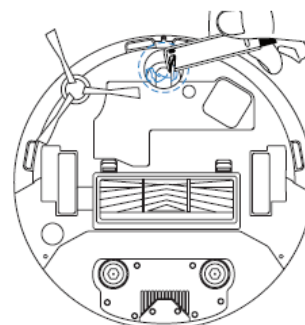
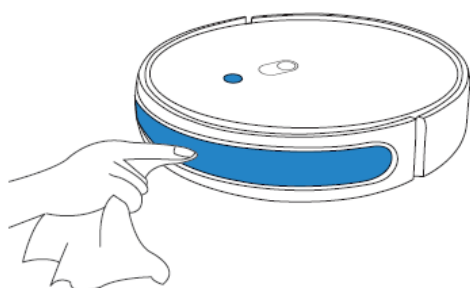
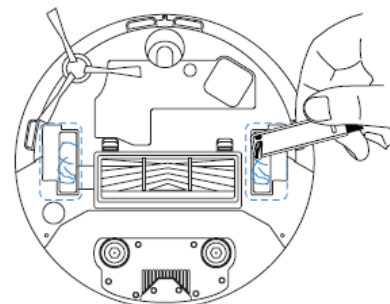
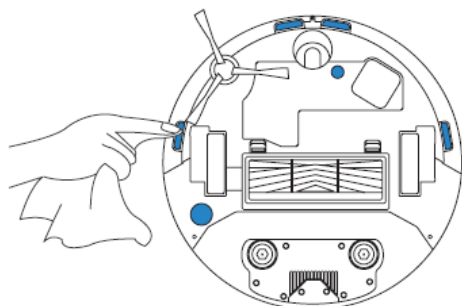
2



Note: If Shaft Sleeve of the Main Brush falls off, please clean up the debris and reinstall it.

Other Components

*Please wipe the components with a clean, dry cloth.



Note: Please be alert that Universal Wheel may result in floor damage if it is clogged with hair and debris. When the Universal Wheel cannot rotate even after cleaning it, please stop any further use of the device and

immediately contact customer service for help.

Troubleshooting

No.	Scenario	Possible Cause	Solution
1	Robot is not able to connect to the home Wi-Fi network.	Incorrect home Wi-Fi username or password entered.	Enter the correct home Wi-Fi username and password.
		Robot is not within range of your home Wi-Fi signal.	Make sure Robot is within range of your home Wi-Fi signal.
		Network setup started before Robot was ready.	Turn ON Power Switch. Press the RESET Button for 3 seconds. Robot is ready for network setup when it plays a musical tune and its Wi-Fi Indicator light flashes slowly.
		Robot does not support 5 GHz Wi-Fi.	Make sure the robot has been connected with 2.4 GHz Wi-Fi network.
2	Robot is not charging.	Robot is not switched ON.	Switch ON Robot.
		Robot has not connected to the Docking Station.	Be sure that the robot's Charging Contacts have connected to the Docking Station Pins.
		The Docking Station is not connected to the power supply.	Make sure the Docking Station is connected to the power supply.
		The battery is completely discharged.	Please contact Customer Care for help.
3	Robot cannot return to the Docking Station.	The Docking Station is not correctly placed.	Refer to Section 2.2 correctly place the Docking Station.
		The Docking Station is not correctly connected.	Make sure the Docking Station is correctly connected.
		The Docking Station is manually moved during the cleaning.	It is suggested not to move the Docking Station during the cleaning.
		Robot did not start cleaning from the Docking Station.	Make sure Robot starts cleaning from the Docking Station.

No.	Scenario	Possible Cause	Solution
4	Robot misses cleaning spots to be cleaned, or repeats cleaning the area cleaned.	The cleaning cycle is interfered by small objects or barriers on the floor.	Remove power cords and small objects from the floor to ensure cleaning efficiency. Robot will automatically clean the area missed, please avoid moving Robot manually or block the path during the cleaning cycle.
		Robot is working on slippery polished floors.	Make sure the floor wax is dried before Robot starts cleaning.
		Robot is unable to reach certain areas blocked by furniture or barriers.	Tidy up the area to be cleaned by putting furniture and small objects in their proper place.
5	Robot gets stuck while working and stops.	Robot gets stuck while working and stops.	Robot will try various ways to free itself. If it is unsuccessful, manually remove the obstacles and restart.
		Robot might be stuck under furniture with an entrance of similar height.	Please set a physical barrier.
6	Robot is making too much noise when cleaning.	Robot is tangled or blocked with debris.	Clean Robot as described in section Maintenance and restart. If the trouble persists, please contact Customer Care.
7	Shaft Sleeve of the Main Brush falls off.	Shaft Sleeve gets entangled by debris and falls off during the cleaning.	Please clean up the debris and reinstall it.

Wi-Fi Connection

Before Wi-Fi setup, make sure Robot, mobile phone, and Wi-Fi network meet the following requirements.

Robot and Mobile Phone Requirements

- Robot is fully charged and the power switch of Robot is turned on.
- Wi-Fi status light slowly flashes.
- Turn off mobile phone's cellular data (you can turn it back on after setup).

Wi-Fi Network Requirements

- You are using a 2.4GHz or 2.4/5 GHz mixed network.
- Your router supports 802.11b/g/n and IPv4 protocol.
- Do not use a VPN (Virtual Private Network) or Proxy Server.
- Do not use a hidden network.
- WPA and WPA2 using TKIP, PSK, AES/CCMP encryption.
- WEP EAP (Enterprise Authentication Protocol) is not supported.
- Use Wi-Fi channels 1-11 in North America and channels 1-13 outside North America (refer to local regulatory agency).


- If you are using a network extender/repeater, the network name (SSID) and password are the same as your primary network.

Product Specifications

Model	DVX46
Rated Input	20V 2A
Battery	RC02-LI-1440-5200
Nominal Voltage	14.4V
Watt Hour	69.12Wh
Self-cleaning Station Model	CH2028
Rated Input	100-240V~ 50-60Hz 70W
Rated Output	20V 2A
Frequency bands	2400-2483.5MHz
Networked Standby Power	Less than 2.00W

- Output power of the Wi-Fi module is less than 100mW.
- Output power of the 2.4G module is less than 10mW.
- **Note:** Technical and design specifications may be changed for continuous product improvement.

Documents / Resources

 <p>INSTRUCTION MANUAL OPERACIONES MANEJANDO MANUAL DE INSTRUCCIONES MANUALE D'ISTRUZIONI MANUALE DI ISTRUZIONI ΠΡΟΒΟΛΕΣ ΣΤΟ ΠΡΟΓΡΑΜΜΑ <small>yeedi mop station</small></p>	<p>yeedi mop station Robot Vacuum [pdf] Instruction Manual mop station Robot Vacuum, mop station, Robot Vacuum, Vacuum</p>
--	---

References

- [yeedi Owner Mannuals | yeedi Robot Vacuum – yeedi US](#)
- [yeedi | Self-Cleaning Robot Vacuum and Mop | Robot Vacuums](#)