



Anker A9192 Surge Protector Power Strip User Manual

[Home](#) » [Support](#) » Anker A9192 Surge Protector Power Strip User Manual 

Contents

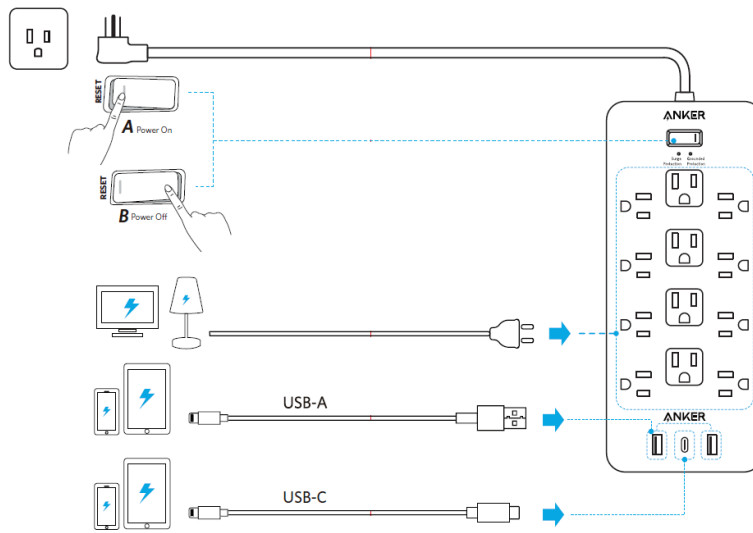
- [1 Anker A9192 Surge Protector Power Strip](#)
- [2 Overview](#)
- [3 Using Your Power Strip](#)
- [4 Safety](#)
- [5 Specifications](#)
- [6 FCC Statement](#)
- [7 Customer Service](#)
- [8 FAQs](#)



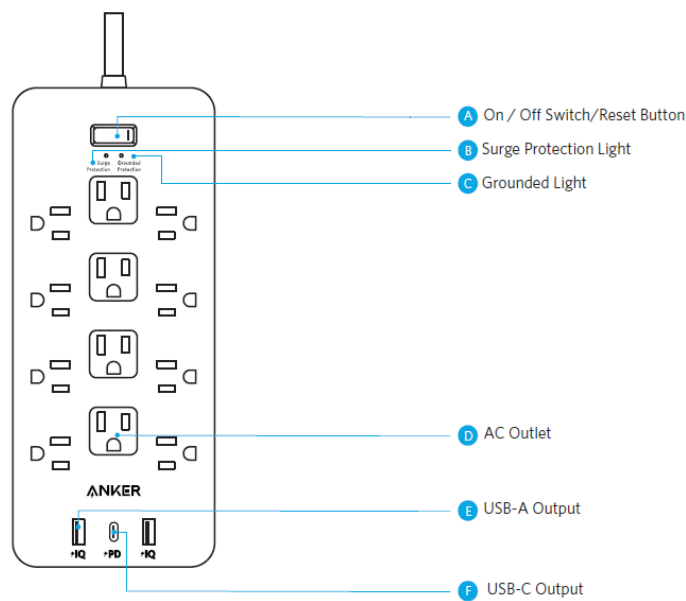
Anker A9192 Surge Protector Power Strip



Overview



Using Your Power Strip



When the switch is turned on, the Surge Protection and Grounded Protection Light will turn blue.

- **Tip 1:** The surge protection feature can protect your computers, smartphones, and other electronic equipment against voltage fluctuations, surges, and spikes. If the Surge Protection Light is off, it indicates the Surge Protection is not functioning normally.
- **Tip 2:** In the event of a power overload, the On/Off Switch will cut off the power automatically.

Safety

- Do not connect the Power Strip to an ungrounded outlet.
- Do not use with extension cords.
- Do not exceed electrical ratings.
- Use in dry locations and indoors only.
- Install **Power Strips** away from heat-emitting appliances such as radiators.
- Keep children away from **Power Strip**.
- If you want to clean the product, only use a dry cloth or brush.

- The product is not intended to be repaired by service personnel in case of failure or component defect (the product can be disposed of).

Specifications

AC Input	125V AC 60Hz 15A
AC Output	125V AC 60Hz 15A 1875W
Surge Energy	2100J
USB-A Output	5V \Rightarrow 3A in total(2.4A Max Per Port)
USB-C Output	5V \Rightarrow 3A/9V \Rightarrow 2.22A/12V \Rightarrow 1.67A (20W Max)
USB-A+USB-C Output	5V \Rightarrow 3A in total(15W Max)
Size	245*105*26mm
Cable Length	5 ft

Note: The USB ports support an input voltage of 100-240V 50/60Hz.

FCC Statement

This device complies with Part 15 of the FCC Rules.

Operation is subject to the following two conditions:

1. This device may not cause harmful interference, and
2. This device must accept any interference received, including interference that may cause undesired operation.

Warning: Changes or modifications not expressly approved by the party responsible for compliance could void the user's authority to operate the equipment.

NOTE: This equipment has been tested and found to comply with the limits for a Class B digital device, pursuant to Part 15 of the FCC Rules. These limits are designed to provide reasonable protection against harmful interference in a residential installation.

This equipment generates, uses, and can radiate radio frequency energy and, if not installed and used in accordance with the instructions, may cause harmful interference to radio communications. However, there is no guarantee that interference will not occur in a particular installation. If this equipment does cause harmful interference to radio or television reception, which can be determined by turning the equipment off and on, the user is encouraged to try to correct the interference by one or more of the following measures:

- Reorient or relocate the receiving antenna.
- Increase the separation between the equipment and the receiver.
- Connect the equipment to an outlet on a circuit different from that to which the receiver is connected.
- Consult the dealer or an experienced radio/TV technician for help.

The following importer is the responsible party (for FCC matters only).

- **Company Name:** Fantasia Trading LLC
- **Address:** 5350 Ontario Mills Pkwy, Suite 100, Ontario, CA 91764
- **Telephone:** +1 800 988 7973

Customer Service



18-Month Limited Warranty



Lifetime Technical Support



support@anker.com



+1 (800) 988 7973 Mon - Fri 9:00am - 5:00pm (PT)



anker.com/support



@Anker
@Anker Japan



@AnkerOfficial
@Anker_JP



@Anker



Anker Innovations Limited Room 1318-19, Hollywood Plaza, 610 Nathan Road, Mongkok, Kowloon, Hong Kong

- **Product Number:** A9192
- **Anker:** 351 Power Strip
- **51005003283:** V01

FAQs

What is the Anker A9192 Surge Protector Power Strip?

The Anker A9192 Surge Protector Power Strip is a multi-functional power strip that offers surge protection and multiple power outlets, making it ideal for charging various devices and protecting them from power surges.

How many power outlets are there on the power strip?

The Anker A9192 power strip typically features 12 power outlets, allowing you to connect multiple devices simultaneously.

Does this power strip provide surge protection?

Yes, the Anker A9192 Surge Protector Power Strip offers surge protection to safeguard your devices against voltage spikes or surges.

What is the maximum surge protection rating of this power strip?

The power strip typically provides a surge protection rating of up to 4000 joules, offering robust protection for your connected devices.

Is there a warranty for the Anker A9192 Power Strip?

Anker often provides a warranty for their products, including the A9192 Power Strip. It's recommended to check the specific warranty details provided with the product for accurate information.

Can I mount this power strip on a wall?

Yes, the Anker A9192 Power Strip usually comes with mounting holes on the back, allowing you to securely attach it to a wall or any other suitable surface.

Does the power strip have USB ports for charging?

Yes, it often includes USB ports, which are convenient for charging devices like smartphones and tablets directly from the power strip without the need for separate chargers.

Is there an on/off switch for individual outlets?

The Anker A9192 Power Strip typically includes individual on/off switches for some of the outlets, providing control over which devices are powered on or off.

What is the length of the power cord for this power strip?

The power strip usually comes with a long power cord, often around 6 to 8 feet, allowing flexibility in placement.

Is this power strip suitable for international use (110V-240V)?

The power strip is primarily designed for use with 110V power sources, so it may not be suitable for use in regions with 220-240V power systems. Always check the voltage compatibility before use.

Can I use this power strip with appliances that have high power requirements?

The power strip typically has a high power rating, making it suitable for use with appliances and devices with moderate to high power requirements. However, always check the specific power rating of the power strip for

details.

Is there a built-in circuit breaker for added safety?

Yes, the Anker A9192 Power Strip often includes a built-in circuit breaker to protect against overloads and ensure safety for your devices.

Download this PDF Link: [Anker A9192 Surge Protector Power Strip User Manual](#)

Manuals+