



ring Alarm Outdoor Contact Sensor User Guide

[Home](#) » [Ring](#) » ring Alarm Outdoor Contact Sensor User Guide 



User Guide
Outdoor Contact Sensor

Contents

- [1 Quick Start](#)
- [2 Installation](#)
- [3 Documents / Resources](#)
- [4 Related Posts](#)

Quick Start

In-app Setup

1. Make sure your Ring Alarm is disarmed.
2. In the Ring app, open the menu.
Tap Set Up a Device, then tap Security, tap Sensor, and find the Outdoor Contact Sensor.
3. Follow the in-app instructions to complete the setup.

Installation

We suggest mounting the Outdoor Contact Sensor using more than one mounting method if needed. Make sure the Sensor and the Magnet are lined up, and 1" apart or less.

Mounting Tape (included)

Use the included mounting tape, clean the area, then peel the backing and stick the Sensor. Press it to the surface and hold for 20 seconds to make sure the tape is securely attached.

Screws and anchors (included)

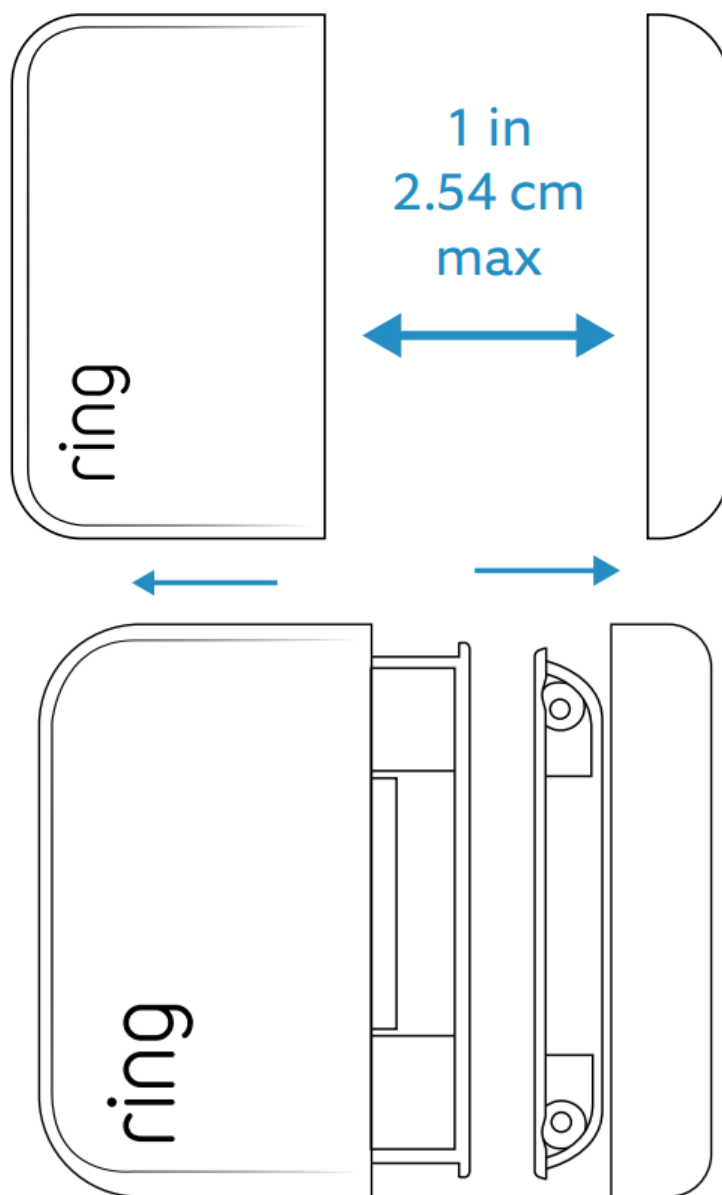
If mounting on a hard surface, use a 3/16" (5mm) drill bit to drill holes for the anchors, then push them into place and screw in the brackets. If mounting on a softer surface like wood, simply screw in the brackets.

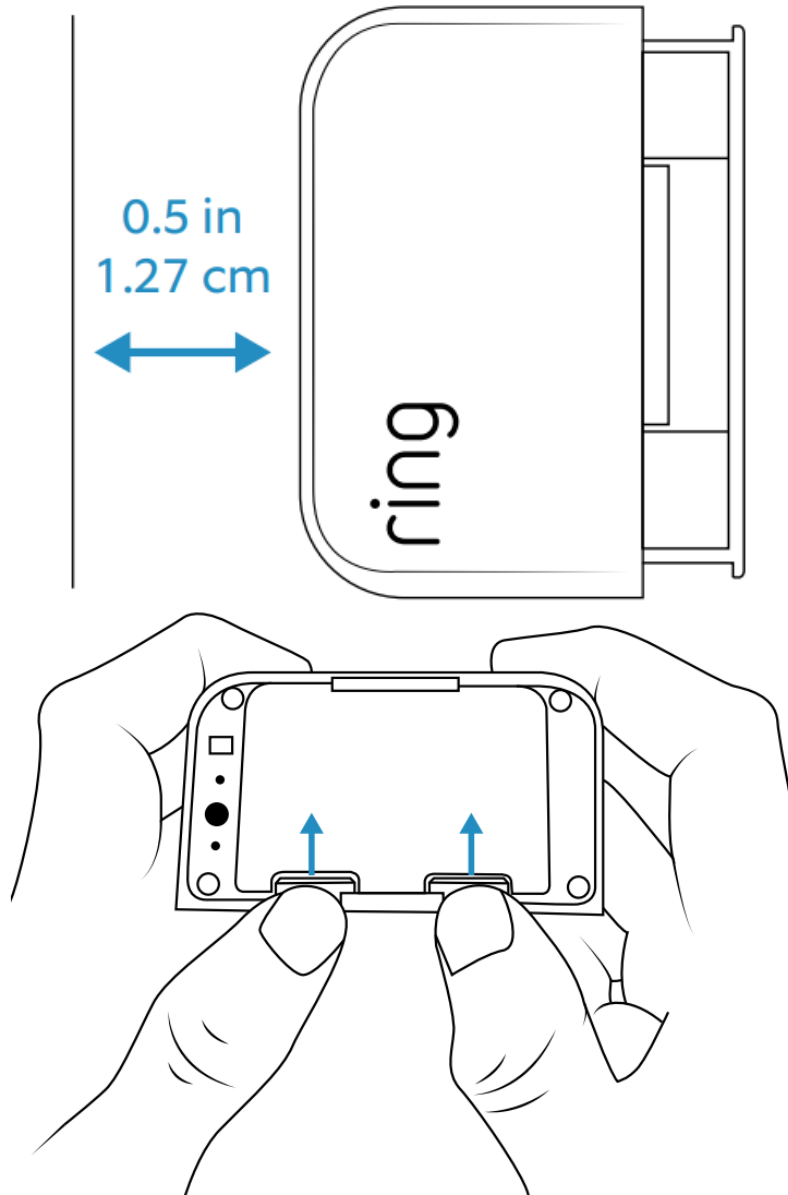
- 2 screws included: 3x21 mm
- 2 anchors included: 5x25mm

Metal strap tie (not included)

Feed the metal strap tie through the back of the sensor and magnet brackets. Make sure that you tighten the strap tie so it doesn't slide around or down the pole. If it does move around, consider also using screws to keep it in place.

Slide the Sensor and Magnet onto the mounting brackets when you've finished mounting them.





For additional help, visit: ring.com/help

Find online manuals at: ring.com/alarm-manual

For technical Z-Wave information, visit: ring.com/z-wave

© 2021 Ring LLC or its affiliates. Ring and all related marks are trademarks of Ring LLC or its affiliates.

Documents / Resources

	<p>ring Alarm Outdoor Contact Sensor [pdf] User Guide 5F49E9, 2AB2Q5F49E9, Alarm Outdoor Contact Sensor</p>
--	---