



GNCC P1 Indoor Camera User Manual

[Home](#) » [GNCC](#) » GNCC P1 Indoor Camera User Manual 

Contents

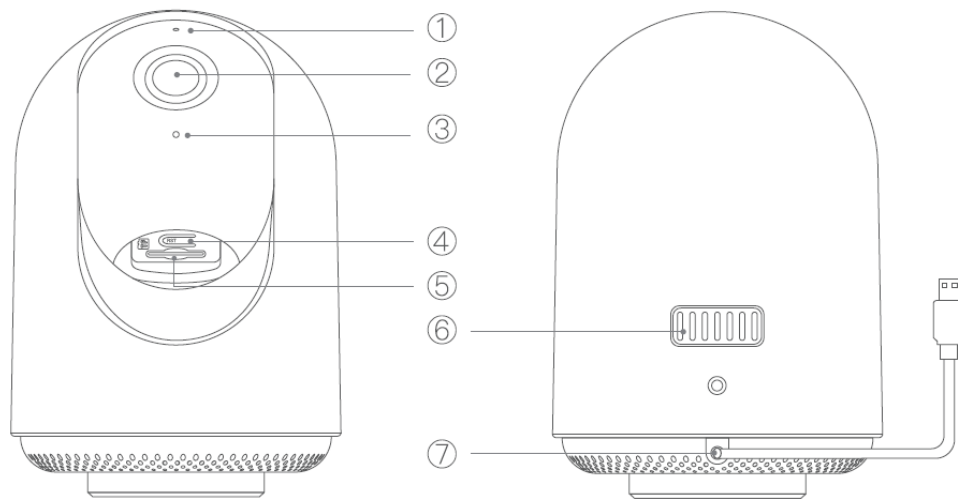
- [1 GNCC P1 Indoor Camera](#)
- [2 Product Diagram](#)
- [3 Warranty](#)
- [4 How to Set Up](#)
- [5 Documents / Resources](#)
- [6 Related Posts](#)

GNCC

GNCC P1 Indoor Camera



Product Diagram



1. Indicator
2. Lens
3. Microphone
4. Reset button
5. SD card slot
6. Speaker
7. Cable

Note: The micro sd card slot and reset button are under the lens of the camera. Please let the lens up and find them.

Warranty

30 days return policy and 12 months limited warranty Timely customer service via ic.support@gncchome.com

GNCC Home App



Please search “osaio” on Google Play/ App Store, or scanning the QR code to download the App.

How to Set Up

1. Search “osaio” on Google Play or App Store to download the App.
2. Plug in your camera and wait until the indicator turns green flashing.
3. Connect your phone to 2.4G Wi-Fi and log in osaio App and click “+” to add your camera.
4. Follow the instruction on the App to finish the steps of connection.

Indicator light	Status
Solid red light	The device is powered on and initializing
Flashing red light	The device is ready to connect
Flashing between green and red	Wi-Fi account or password is wrong, please reconnect
Flashing green light	Connection is in progress
Solid green light	The device is working properly

Documents / Resources

	<p>GNCC P1 Indoor Camera [pdf] User Manual MGP1, 2A24P-MGP1, 2A24PMGP1, P1 Indoor Camera, P1, Indoor Camera</p>
	<p>GNCC P1 Indoor Camera [pdf] User Manual P1 Indoor Camera, P1, Indoor Camera, Camera</p>